

national™ | **COMMERCIAL**
ramp | **ACCESS**

LATITUDE SERIES™
CODE COMPLIANT ACCESS SYSTEM
ASSEMBLY MANUAL



ADA
COMPLIANT



©National Ramp Commercial Access. LLC. All rights reserved.

All text and images contained in this document are the sole property of National Ramp Commercial Access and may not be used in any form without written consent.

Latitude Series™ Code Compliant Access System Assembly Manual

Read this manual completely before completing installation Please review standard maintenance recommendations.

FILL OUT WARRANTY REGISTRATION CARD INCLUDED IN PACKET



ADA
COMPLIANT



TABLE OF CONTENTS

- 06 ▶ TOOLS GENERALLY REQUIRED**
- 06 ▶ PACKING LIST**
- 07 ▶ BASIC RAMP COMPONENTS**
- 14 ▶ PLATFORMS**
 - 14 INSTALL PLATFORMS**
- 15 ▶ LEGS**
 - 15 INSTALL SUPPORT LEGS AND FEET**
 - 16 CONNECT TWO PLATFORMS TOGETHER**
- 17 ▶ CROSS BRACE**
 - 17 INSTALL CROSS BRACE**
 - 18 CREATING DECKS FROM PLATFORMS**
- 19 ▶ RAMPS**
 - 19 CONNECTING RAMP SECTIONS TOGETHER**
 - 21 INSTALL BOTTOM TRANSITION PLATE (BTP)**
 - 22 INSTALL RAMPS LEADING INTO A PLATFORM**
 - 23 INSTALL RAMP GOING AWAY FROM A PLATFORM**
 - 23 ATTACH SUPPORT LEGS TO RAMPS**
 - 24 INSTALL CROSS BRACE - RAMPS**
 - 25 INSTALL A SINGLE RAMP OR RAMP RUN**
 - 26 ANCHOR BOTTOM TRANSITION PLATE**

27 ▶ GUARD-PICKETS

27 RAMP GUARD

29 CONNECTING MULTIPLE RAMP GUARDS

30 PLATFORM GUARDS

33 FILLER GUARDS

38 ▶ LOOPS

38 BOTTOM TRANSITION LOOPS

39 PLATFORM END LOOPS

42 ▶ INTERNAL GRASPING HANDRAIL

42 INSTALLING INTERNAL GRASPING RAILS ON A RAMP

44 STARTING INTERNAL RAILS AT THE START OF A RAMP RUN

46 ▶ STEPS

48 ▶ FINAL CHECKS AND TIGHTENING

48 ▶ MAINTENANCE TIPS

49 ▶ WARRANTY REGISTRATION

Before You Begin:

- ⊕ Check your packing slip to ensure that you have all of the needed parts
- ⊕ Make sure install site is clear of debris/etc...
- ⊕ Note obstacles that will need to be removed/avoided
- ⊕ Locate and avoid any utility lines (especially when anchoring legs to ground and when anchoring ramp/platform to building)
- ⊕ Make sure area is prepped, and ready for install-ensure that it will not be in the way of gas meters, or anything that will need to be worked on (once ramp is installed it cannot easily be moved)
- ⊕ Ensure that you will have access to power/a generator for your power tools
- ⊕ Know local codes/regulations
- ⊕ Measure rise and ground contours, and mark out area for your layout
- ⊕ Make sure rise is fixed (make sure office trailers/etc... are in their final position)



Symbol indicates a safety warnings for the protection of people and property. Failure to abide by these safety warnings will result in a waiver of all liabilities, possible loss of your warranty, and could result in equipment and property damage and/or failure, and risk of serious bodily injury, and or death.

TOOLS GENERALLY REQUIRED

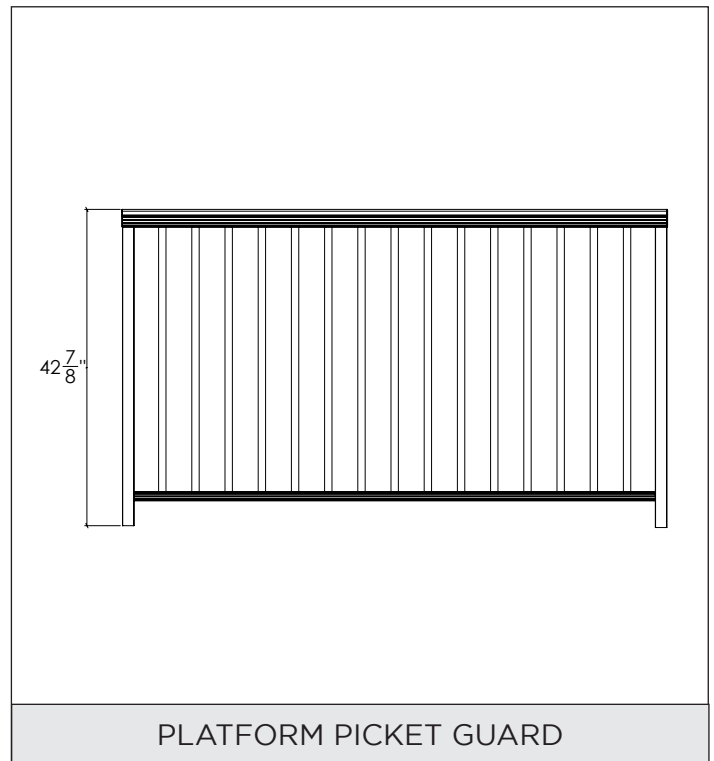
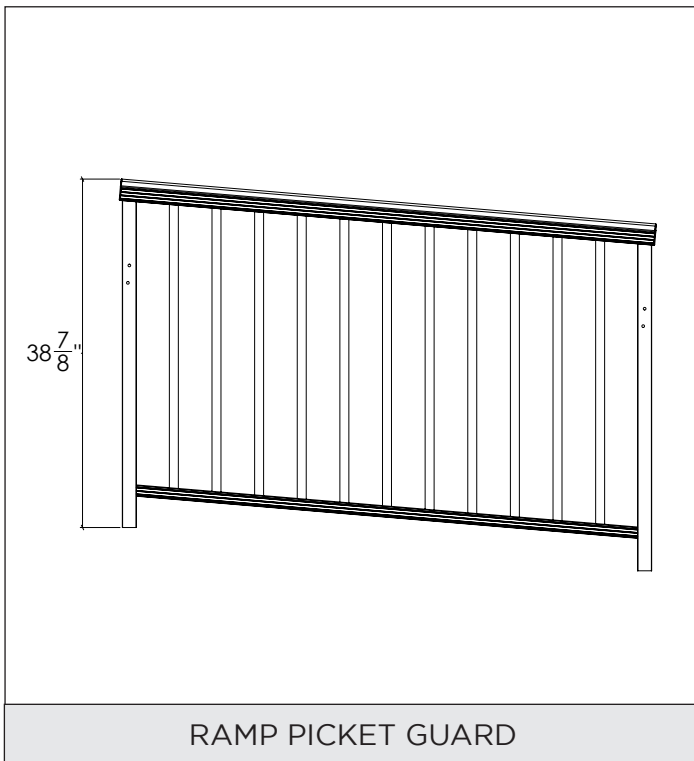
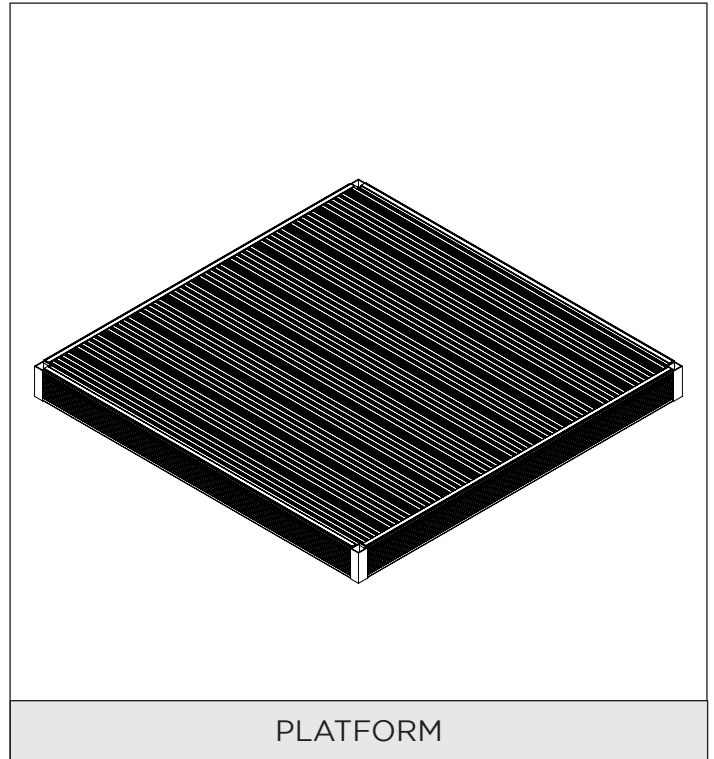
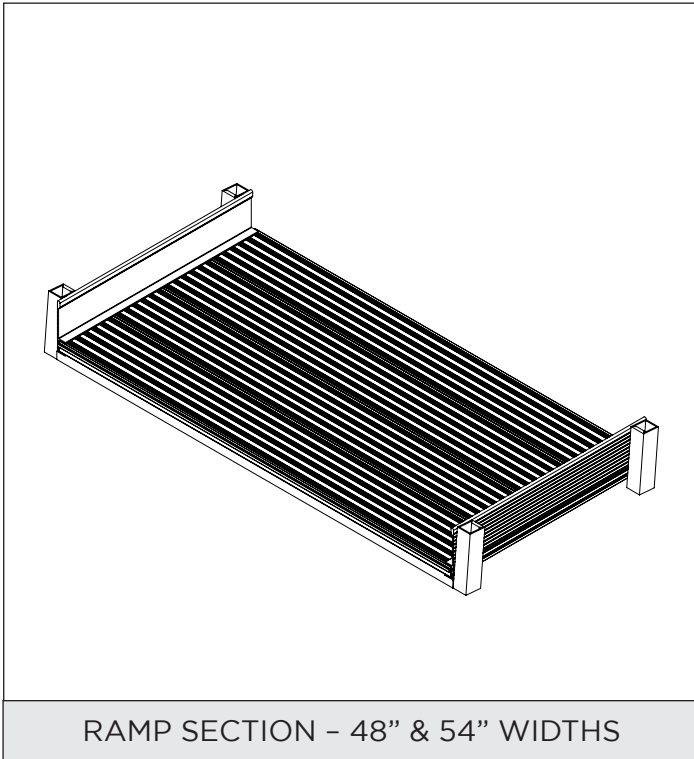
- ⊕ Drill
- ⊕ Miter Saw With Aluminum Cutting Blade
- ⊕ Tape Measure
- ⊕ Reciprocating Saw
- ⊕ Impact Drill
- ⊕ Drill
- ⊕ Hammer Drill
- ⊕ Digital Levels
- ⊕ 4' Level
- ⊕ Extension Cords (May Be Required To Power Tools)
- ⊕ 9/16" Deep Impact Sockets
- ⊕ 1/2" Deep Impact Sockets
- ⊕ 3/8 Socket Adapter For Impact Driver, Or 3/8" Impact Wrench.
- ⊕ 5/16 Socket
- ⊕ 7/16 Socket
- ⊕ 3/8 Socket
- ⊕ Rubber Mallet
- ⊕ 5/32 Allen Wrenches (Hex Bit/Hex Bit Socket And Impact Gun Can Also Be Used To Speed Up Installation)
- ⊕ Assorted Drill Bits
- ⊕ Mason String (for leveling)
- ⊕ File (Used For Smoothing Grasping Handrail Cuts And Other Sharp Edges)
- ⊕ 5/16" And 7/16" Open End Wrench
- ⊕ Adjustable Wrench
- ⊕ Lacquer Thinner/Rags (Used To Clean Ramp Once Installation Is Complete)

PACKING LIST

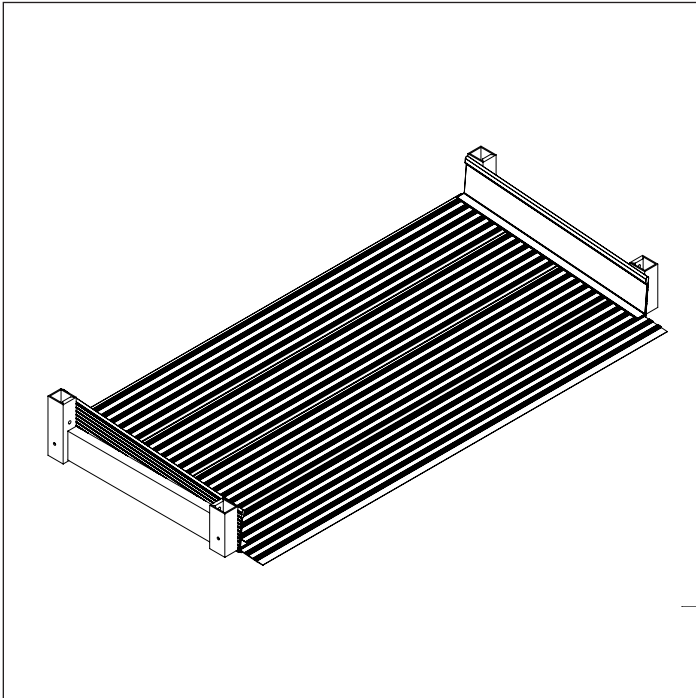
Each ramp system is shipped with a packing list. Be sure to check that all items are present before starting installation. If the layout changes from what was ordered due to onsite conditions you may need to order additional parts to complete the install.

BASIC RAMP COMPONENTS

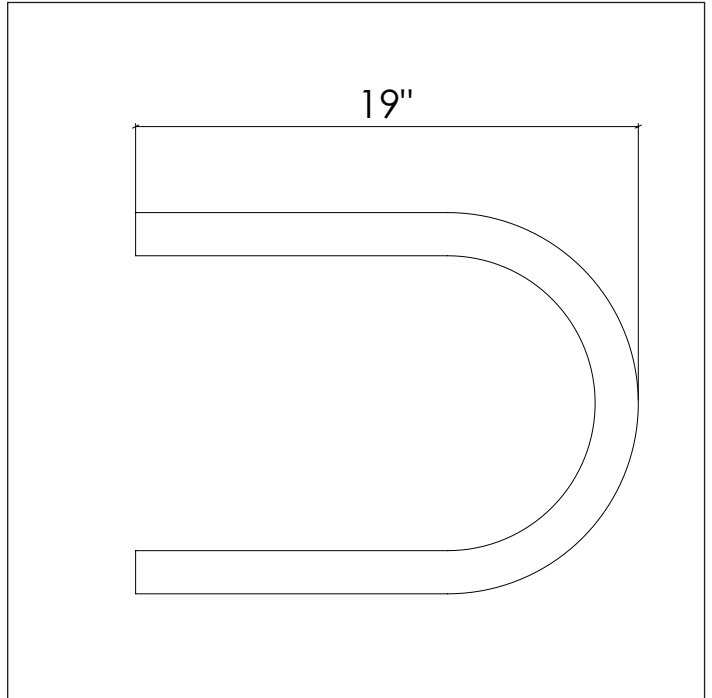
Because each ramp configuration will differ from one another, your system may or may not contain all these basic system components. Identify your system components before you begin.



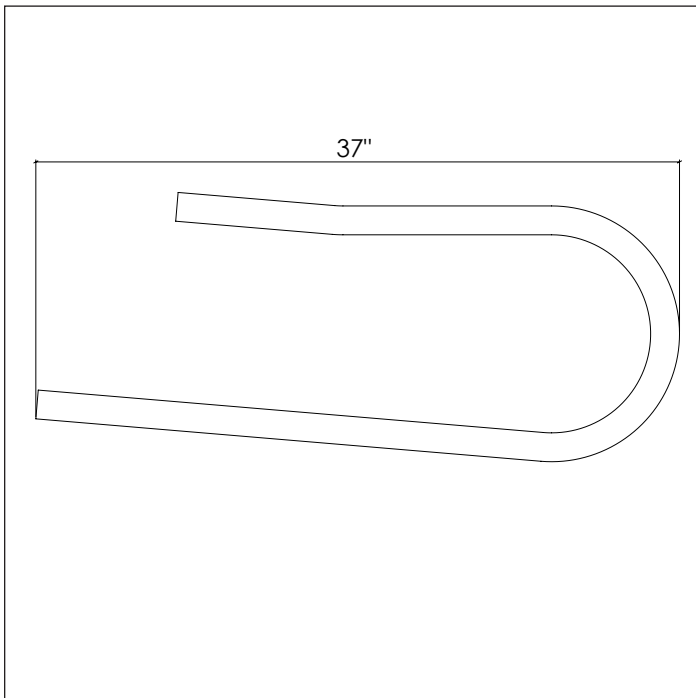
BASIC RAMP COMPONENTS



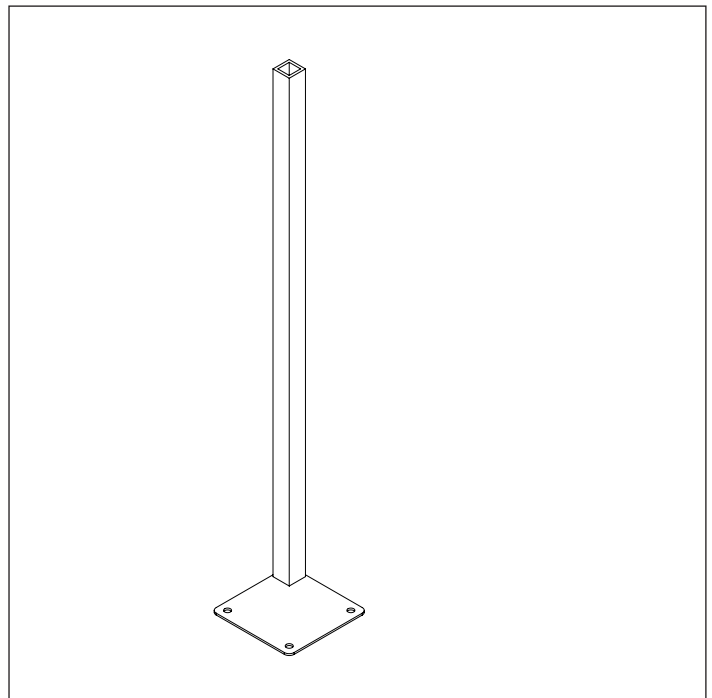
BOTTOM TRANSITION PLATE (BTP)



PLATFORM LOOP

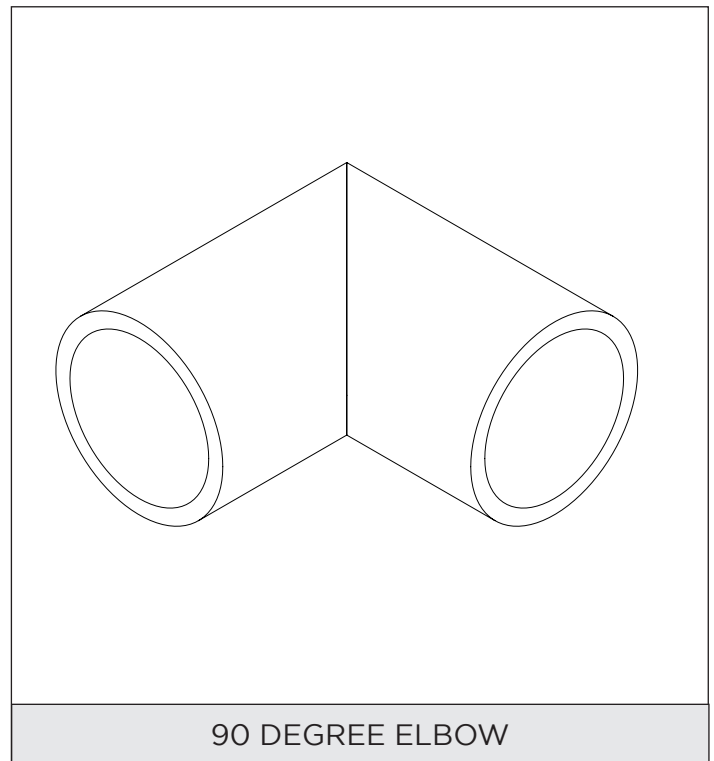
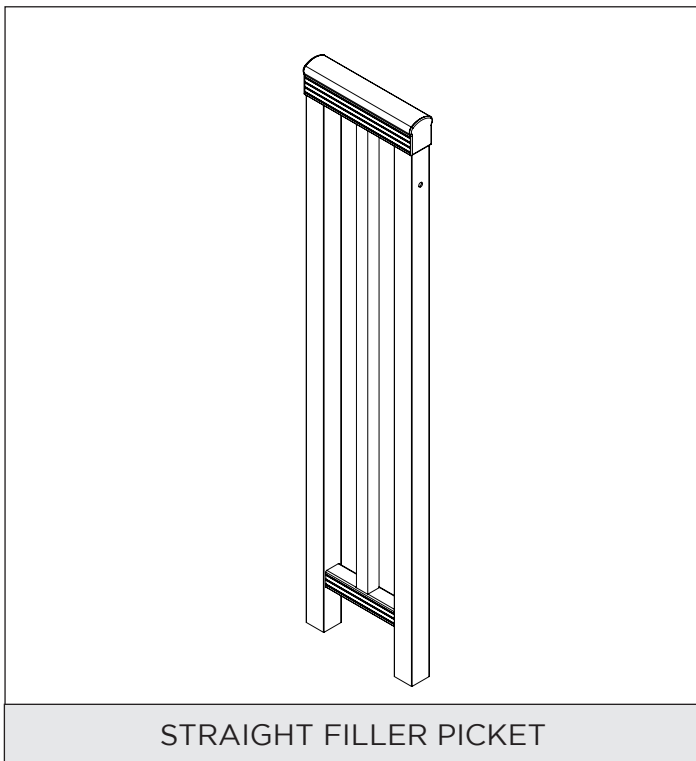
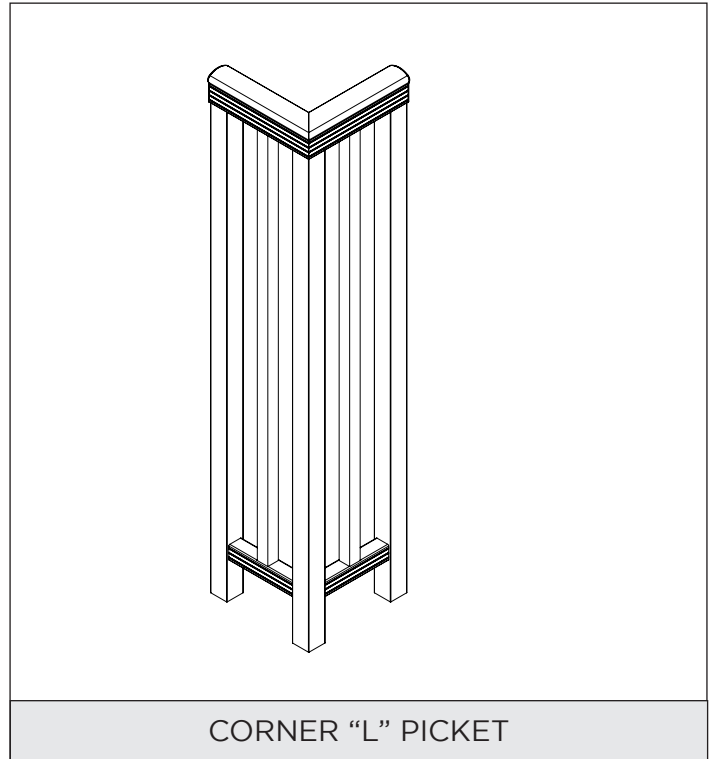
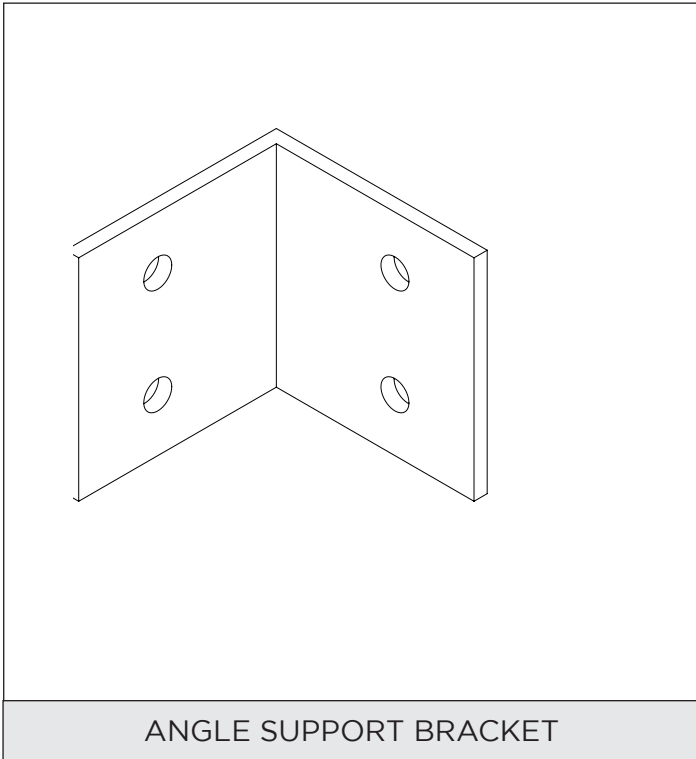


BTP LOOP

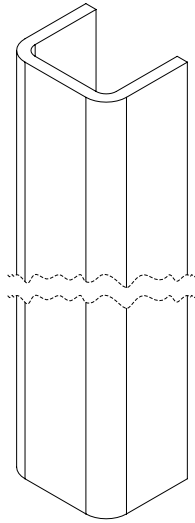


LEG

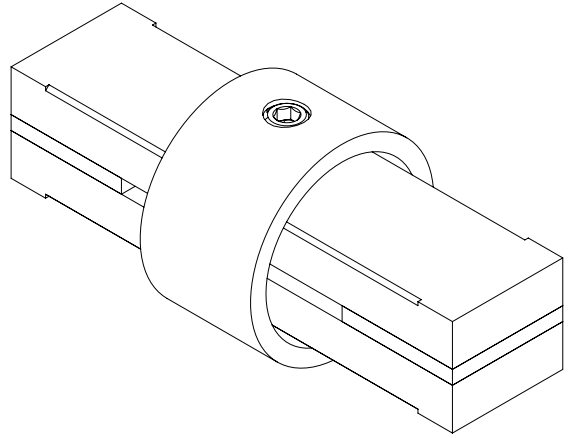
BASIC RAMP COMPONENTS



BASIC RAMP COMPONENTS



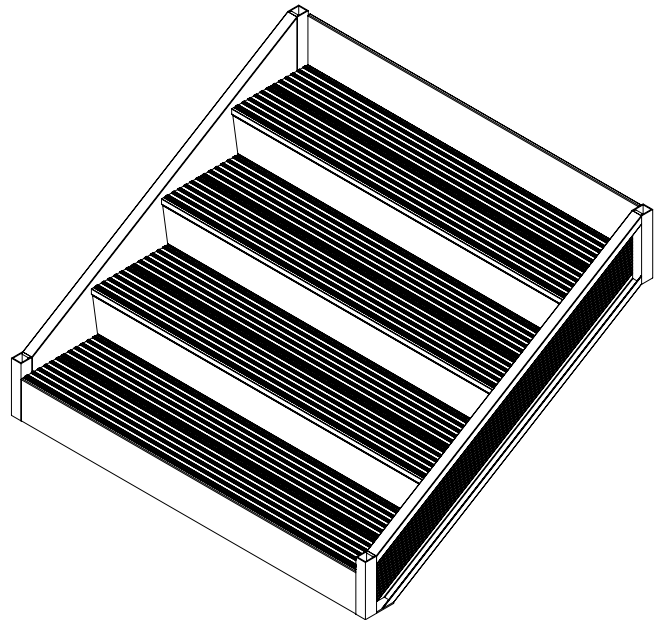
LEG INSERT



METAL RAIL CONNECTOR

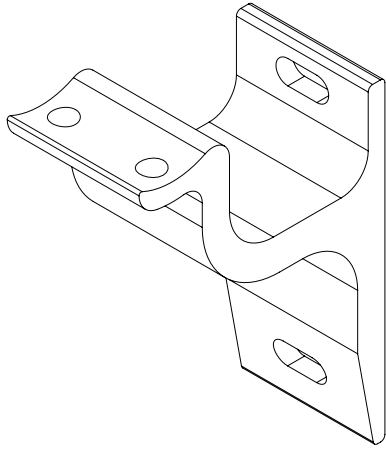


FILLER POST

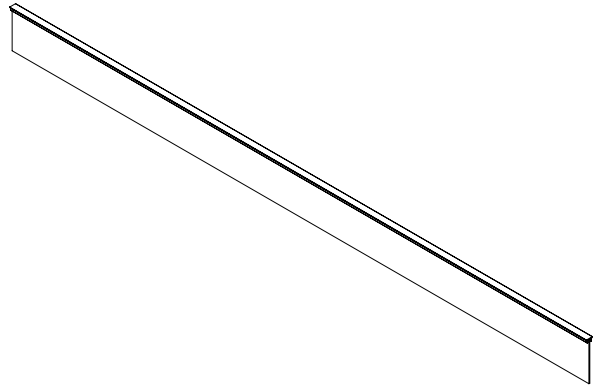


STEP SYSTEM

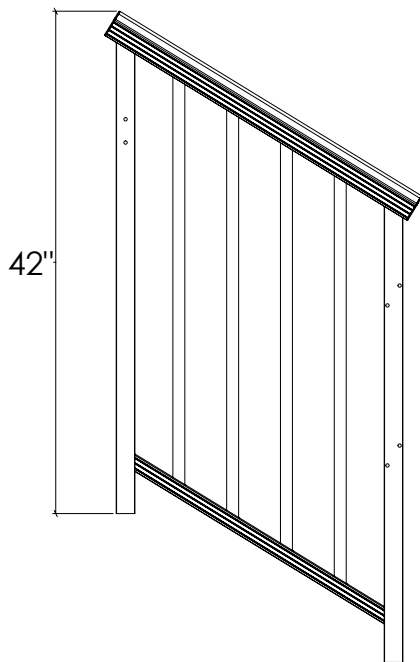
BASIC RAMP COMPONENTS



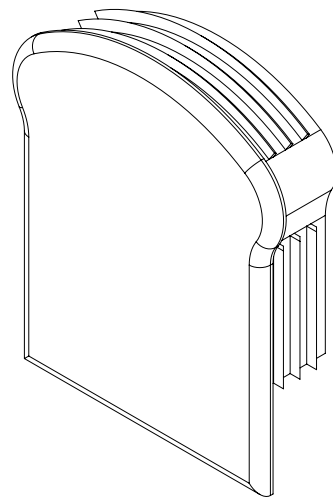
GRASPING HANDRAIL BRACKET



PLATFORM CONNECTOR BRACKET

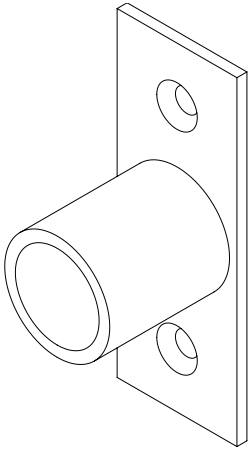


STEP PICKETS

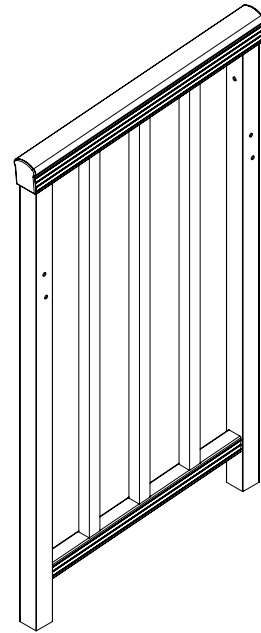


PLASTIC END CAP

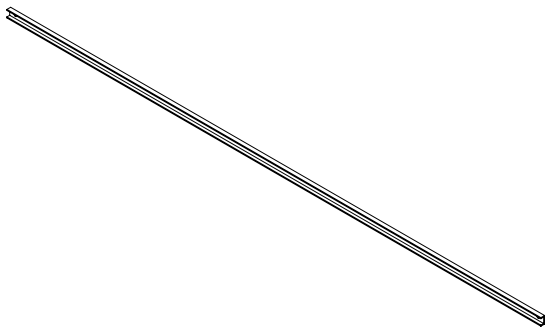
BASIC RAMP COMPONENTS



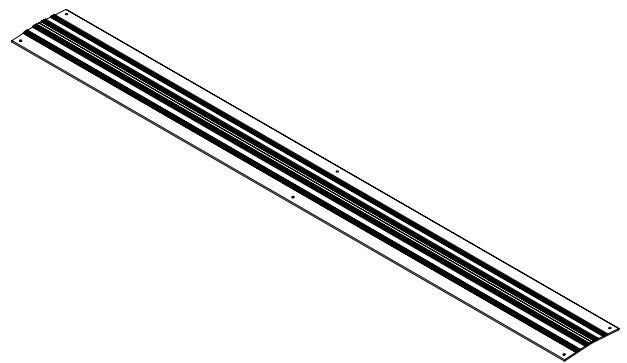
POST RETURN BRACKET



BTP PICKET
Highlighting Extra Holes For Grasping Rail Brackets

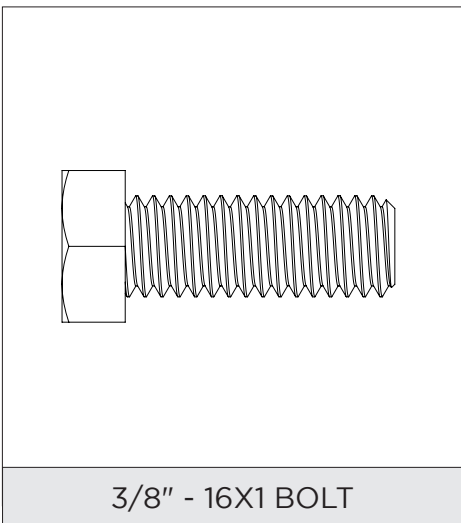
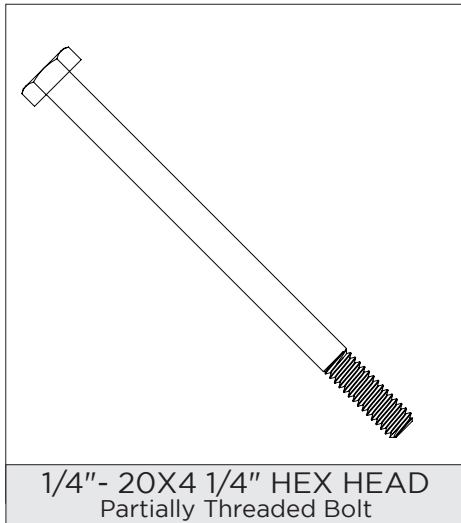
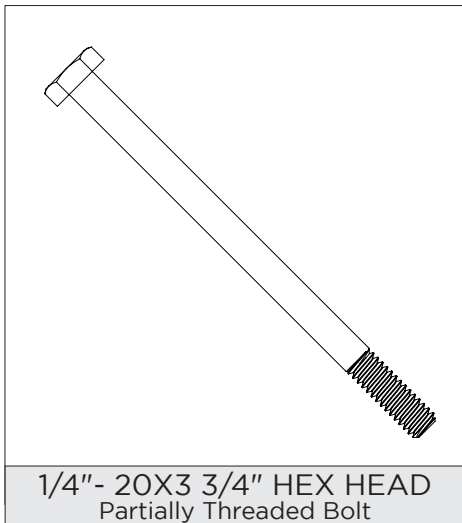
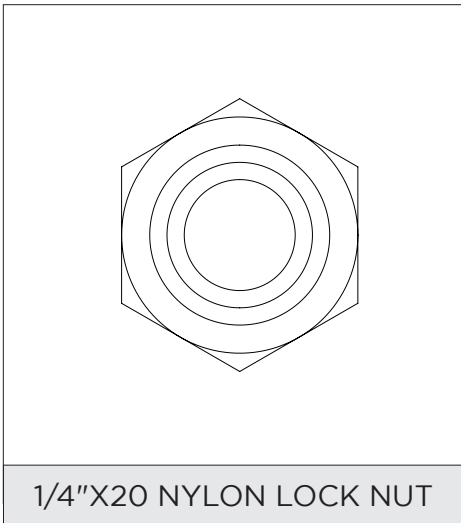
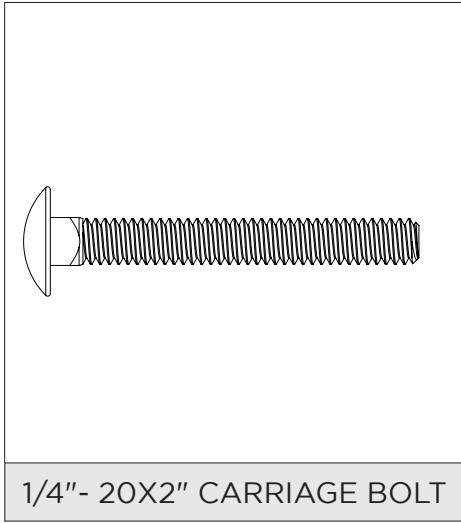
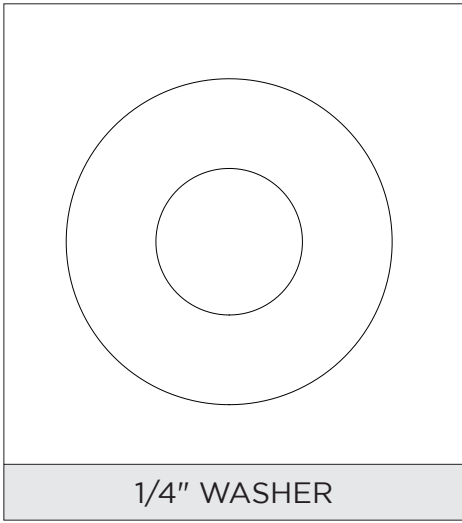
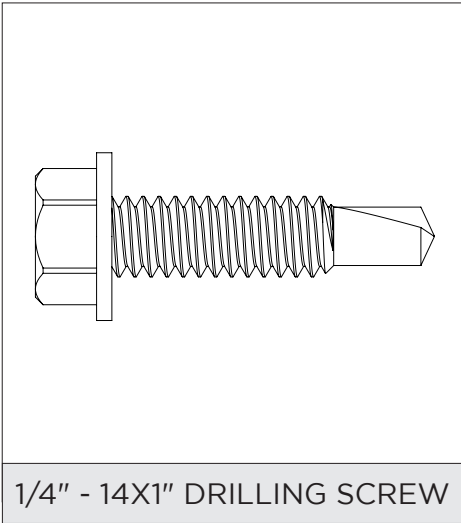


CROSS BRACING



TTP

BASIC RAMP COMPONENTS



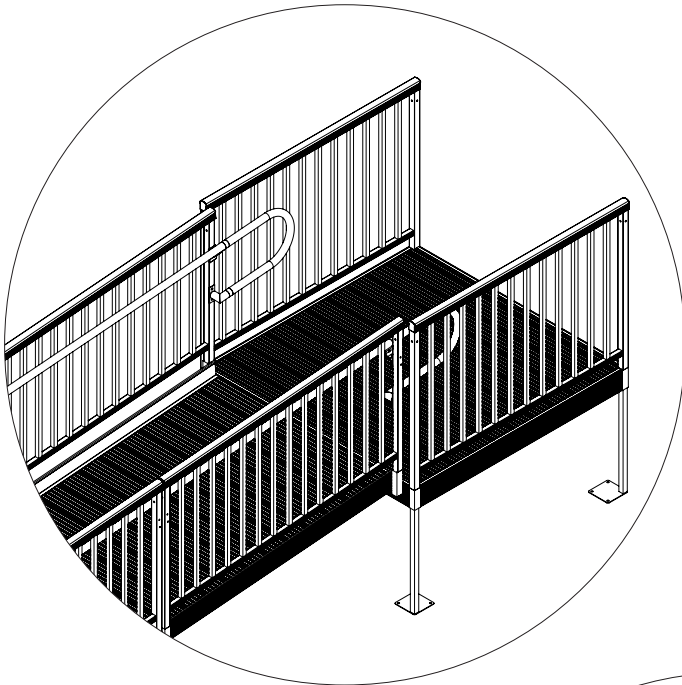
PLATFORMS

INSTALL PLATFORMS

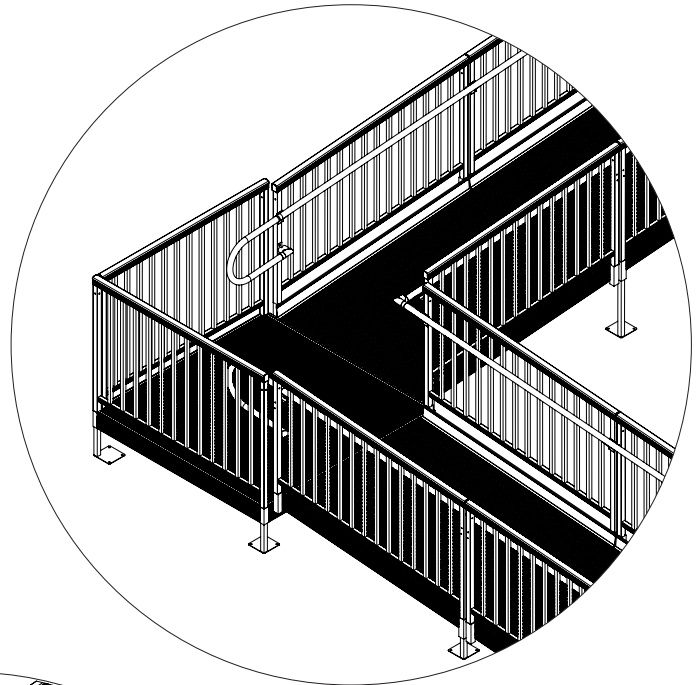
If your system does not include a platform, skip to 'CONNECT RAMP SECTIONS'.

Platform handrails are shown below for clarity of how to orient platforms in various configurations. It is strongly suggested that all platforms and ramps be installed before installing Guards (see 'GUARDS' section).

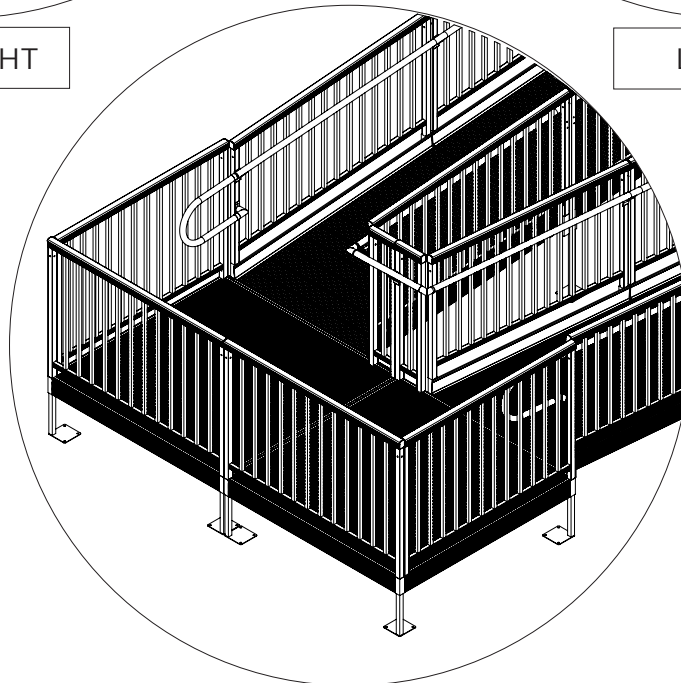
There are three basic platform arrangements (one or more of these platform arrangements may be used in an installation). All three require the same procedure for assembly.



STRAIGHT



L TURN



SWITCHBACK

LEGS

INSTALL SUPPORT LEGS AND FEET, THEN ADJUST PLATFORM HEIGHT

1. Support legs will come in pairs. Support legs will come in lengths sufficient for the heights at specific locations. Note: Legs may need to be adjusted for ground contour. Leg heights quoted are based on the assumption that the ground is level.
2. Insert all set screws in the platform cones loosely so that the legs can slide up and down once they are inserted.
3. Measure elevation of door, deck, or threshold and set the legs on the first platform to that height.
4. To insert the legs tip the platform on its side, then slide the support legs into the four platform cones. Adjust the support legs to the approximate platform height needed. Remember when measuring to measure from the bottom of the leg to the walk surface not the bottom of the platform or ramp.
5. The platform support legs must extend at least 18" above the walking surface (or corner pocket) for guards to be attached, which will be installed in a later step.
6. Use 9/16" socket to tighten the set bolt in the corner pocket, snug fit just enough to hold the support legs in place but do not over tighten.
7. Use care to avoid stripping the threads on the cone.
8. Do not attempt to walk on the platform until all support leg set screws and self-tapper screws have been tightened securely.

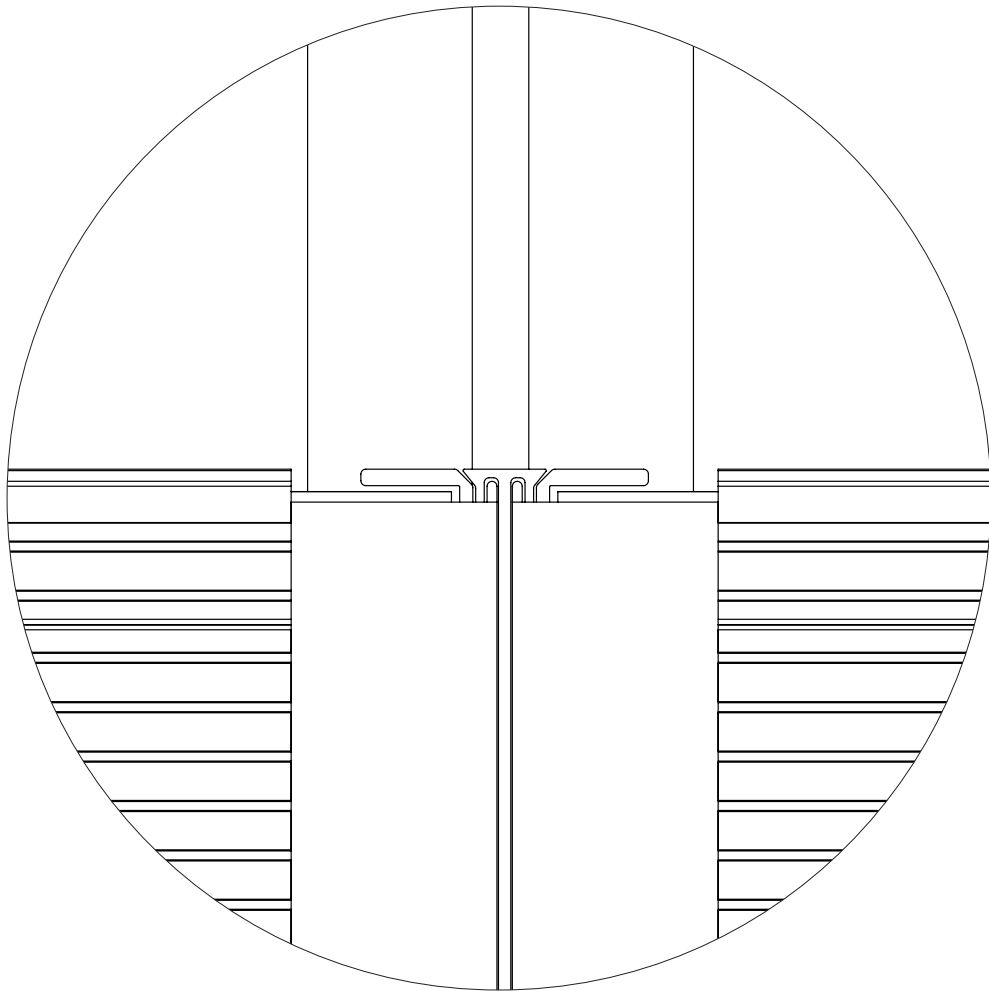


Place the platform (with support legs attached) into the upright position.

9. Do not let the weight of the platform bear on the support legs while tipping the platform upright.
10. Adjust the final height of the platform by adjusting legs, one at a time, by loosening the set screws in the platform corner pockets. Using a level adjust the platform height and re-tighten. **A cross slope of 1/4" per foot is allowed on all platforms, to allow water to drain from the walking surface.**
11. Once the final height has been adjusted, insert zip screws through provided hole into leg for final securing of platform. You will only need to secure one zip screw per leg.
12. Ensure all set screws are tightened securely.
13. A top transition plate (TTP) must be used to secure the first platform to the threshold of a door or to an existing platform. The TTP has pre-drilled holes, and must be fastened to the platform with zip screws. Ensure that screws are flush with the plate, and do not present a tripping hazard.

CONNECT TWO PLATFORMS TOGETHER

1. Assemble both platforms as described in the previous steps
2. After the first platform is leveled bring in the next platform. Make sure both platforms are perfectly level before inserting the Platform connector bracket in between and sitting into both grooves flush so there is no bump. You may need a mallet to get the bracket in correctly.
3. After inserting the platform connector bracket in run, a 3/8 head self-tapper screw through the side wall of the platform through the connector plate and then finally out through the other side. Use a minimum of 3 zips screws per connector bracket. Note: Holes should be pre-drilled for ease of installation. You may need to hold the bracket flush with both platforms while you fasten it, so that it does not slide up creating a tripping hazard.

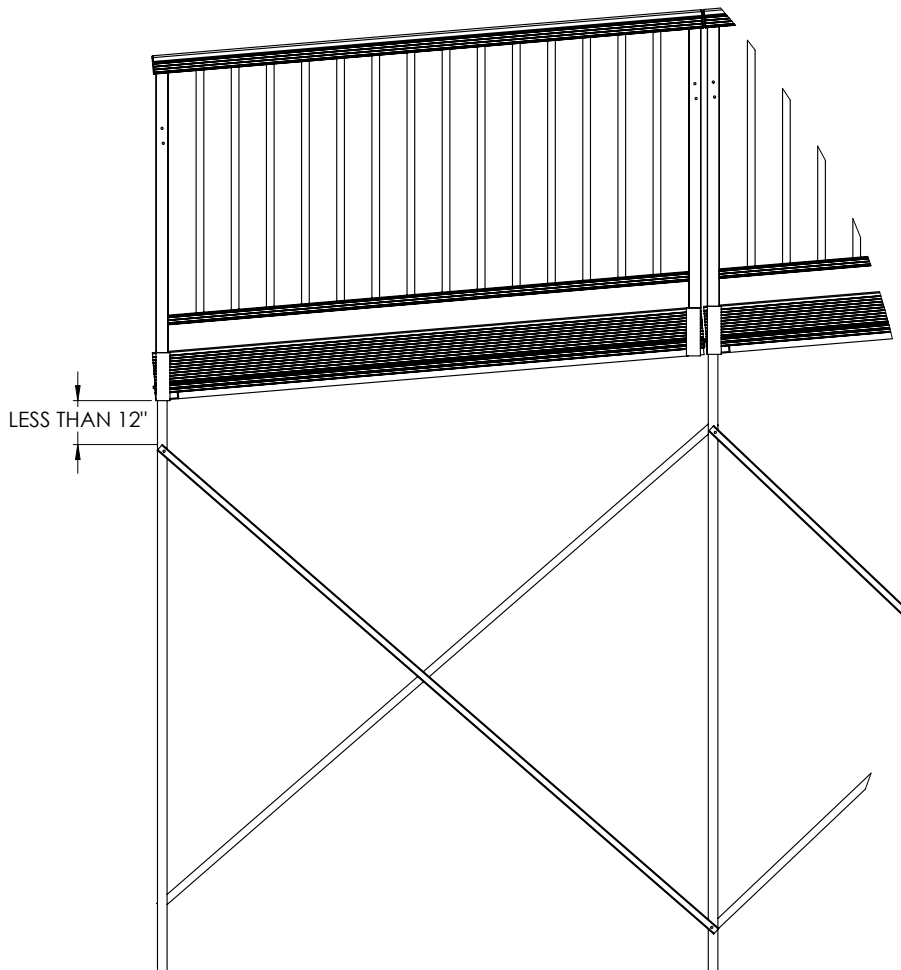


CROSS BRACE

INSTALL CROSS BRACE

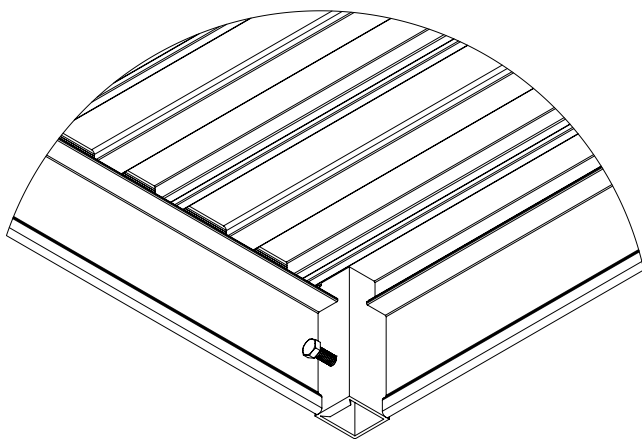
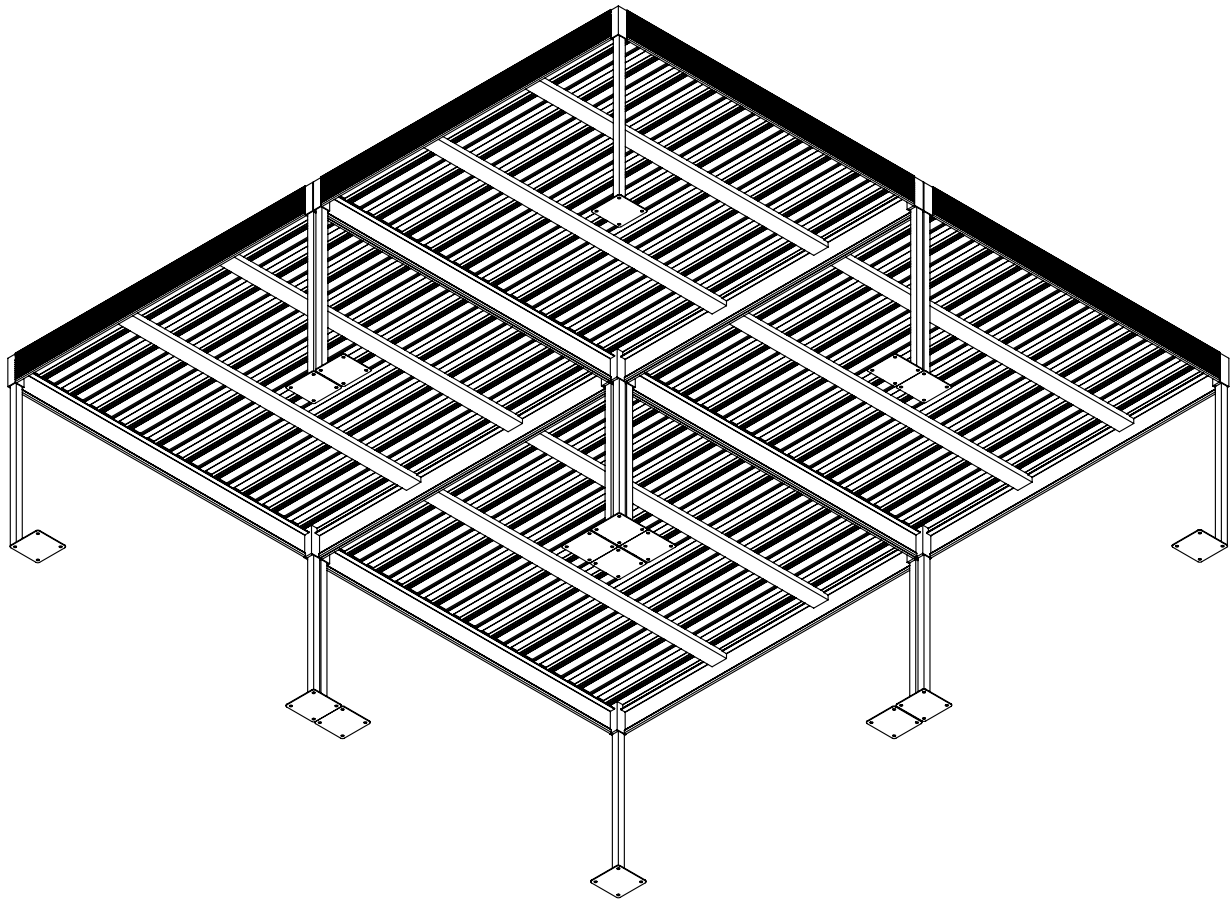
For added stability, platforms and ramps with walking surfaces over 36" high require bracing. Use six braces per platform or eight braces when two platforms are connected. Use two braces per ramp section. All cross bracing is installed in an X pattern.

1. Insert all set screws in the platform cones loosely so that the legs can slide up and down once they are inserted.
2. Assemble the cross brace by installing the one end of the channel no more than 4 inches from the bottom of the leg. Secure the channel to the leg with a 3/8 self-tapper. It is recommended to pre-drill the leg first to make the install easier.
3. Once the bottom is secured pivot the other end of the angle up until you can secure it to the top of the adjacent leg. Again, use a 3/8 self-tapper to secure the cross brace to the leg.
4. If needed for the location, trim the ends of the cross brace to fit.
5. Make sure all self-tappers are secure.



CREATING DECKS FROM PLATFORMS

Decks can be created by combining multiple platforms. At locations where four platform corners meet, install the platform legs with the foot plates facing in so that they don't interfere with each other.

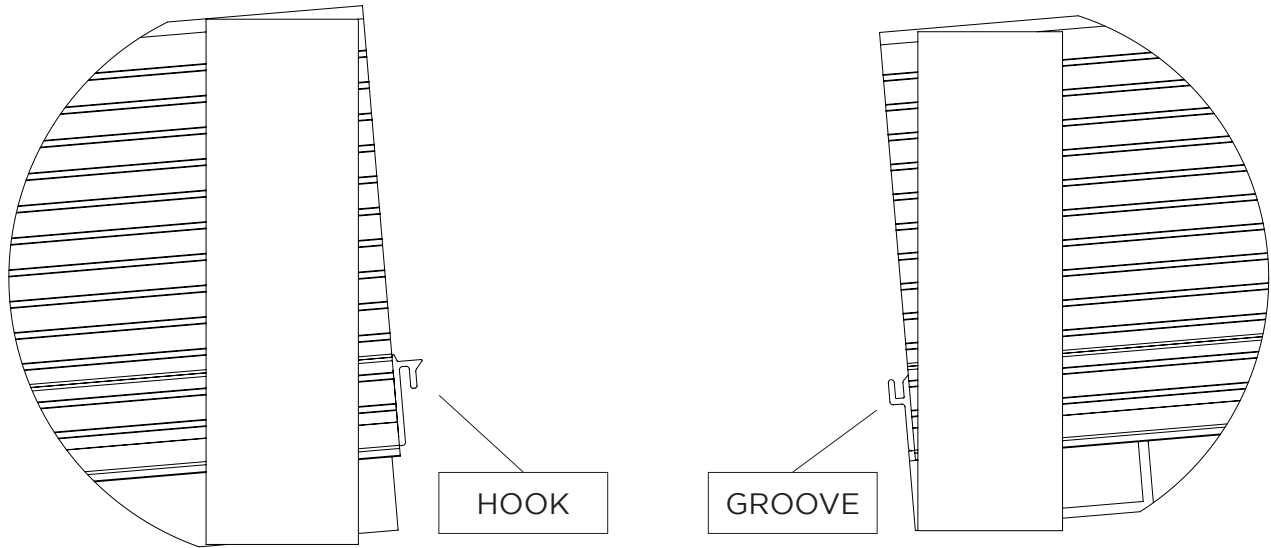


1. Trim all legs on the interior of the deck at or below the top of the platform corner covers as the deck is being created (the outer perimeter where picketed guards will be installed the legs should not be trimmed). Make sure legs are not trimmed too short, as they will need to be fastened with a bolt and zip screw, through the platform cone.
2. Locate the (PLATFORM CORNER CONE COVERS), then insert the corner covers
3. Tighten the set screws in corner cones to hold the covers in place.

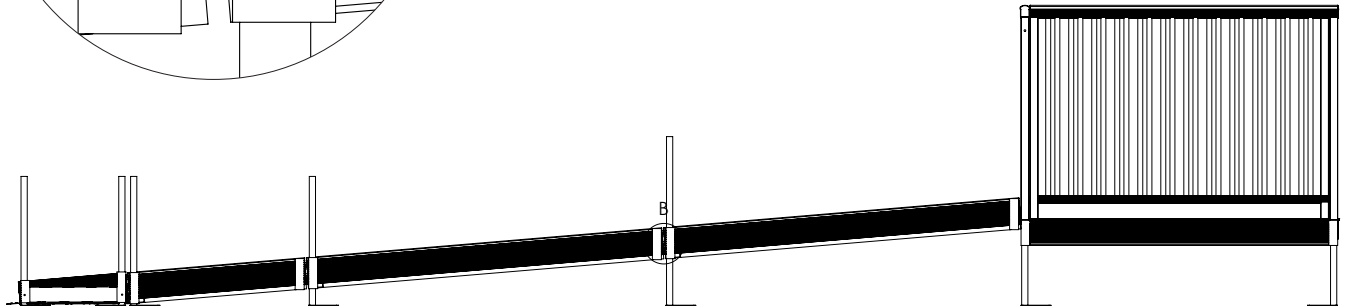
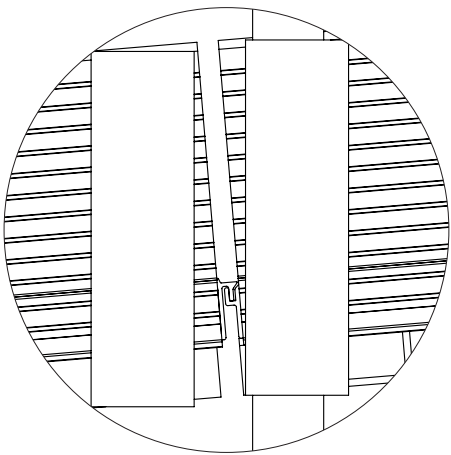
***Refer to image for addition details on set screw locations.**

CONNECTING RAMP SECTIONS TOGETHER

1. There are two ends of the ramp, the hook which is facing down and the Groove which is facing up.



2. The Groove is always going towards the bottom of the ramp or the ground. The reason for this is so that it can join with other sections platforms and the bottom transition plate.
3. Each Ramp Section must have 2 legs, at the end of the ramp section closest to the BTP, for support. The ramps join into the groove of the previous section. Repeat this step for as many ramps that you have incline together before or after a platform.





Double check that the ramp sections are securely hooked into each other to ensure a safe connection

4. It is easiest to put the legs in place before the ramp section gets installed. If you lay the ramp section on its side and slide the legs into the cones and adjust to needed height. Legs must extend 18" above the top of the cone for Guard rail to be inserted at a later step.
5. Tighten the set bolt in the cone, just enough to hold the legs in place. Then, put the ramp section in place. Use the digital level and a tape measure, to level the ramp section. The ramp section should be set to a 1:12 pitch and should be level from side-to-side.
6. Once the legs are inserted and at the needed height, and the ramp section is in place, you will then tighten the set bolt. At this point it is not necessary to put the self-tapper screw in as further height adjustments may be needed.

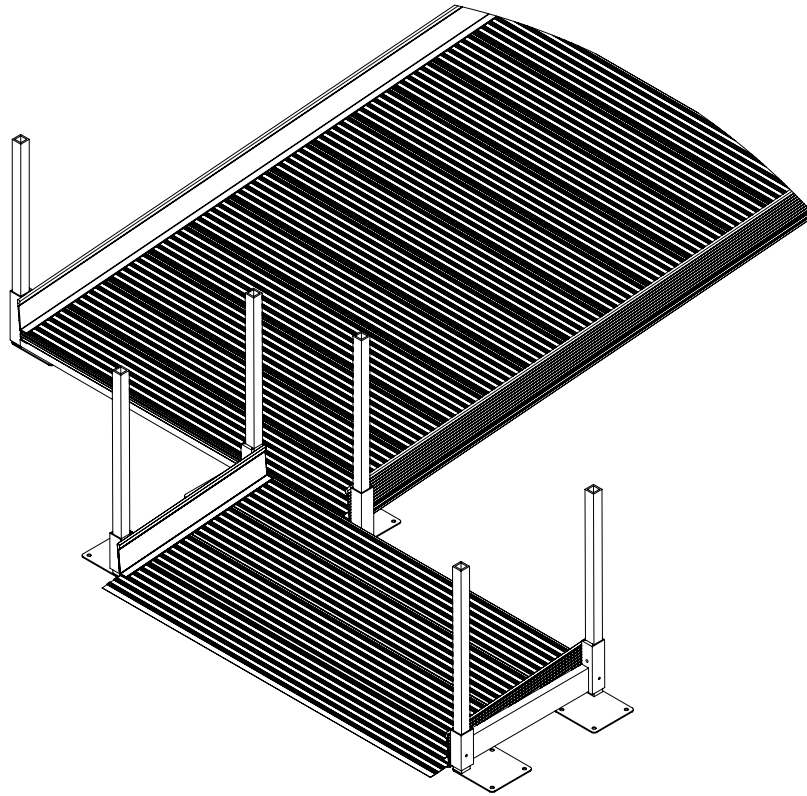



Do not attempt to walk on the ramp until all support leg set screws and self-tapper screws have been tightened securely.

7. The Bottom Transition Ramp (BTP) (see image of BTP section) it is the ramp with the tapered section for transitioning to the ground and is 24" long.
8. The BTP ramp is only intended for use with the tapered section completely supported by the ground; do not use it in an elevated position. In addition, the BTP ramp can only mount off a ramp section, it cannot connect to a platform.

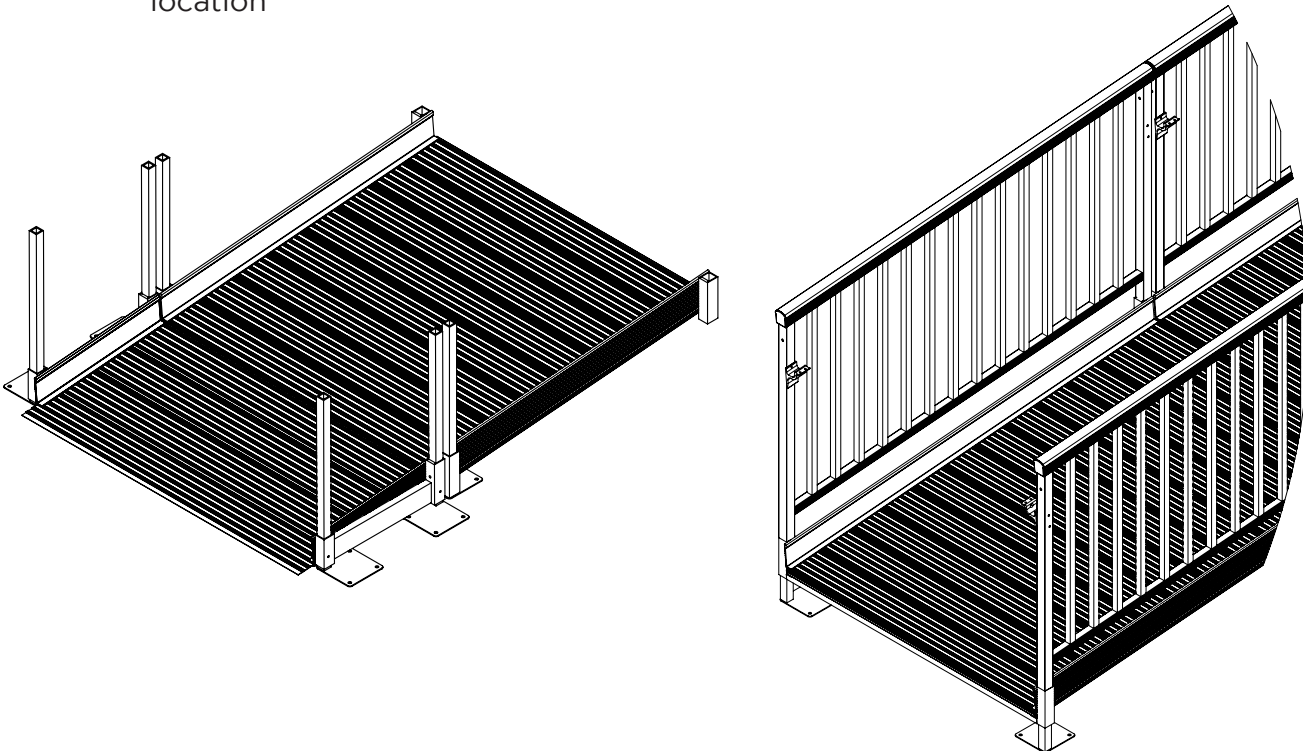
INSTALL BOTTOM TRANSITION PLATE (BTP)

1. The transition plate can mount to any ramp section. You will notice that it doesn't hook on like the other ramp sections. It simply slides on from the end.



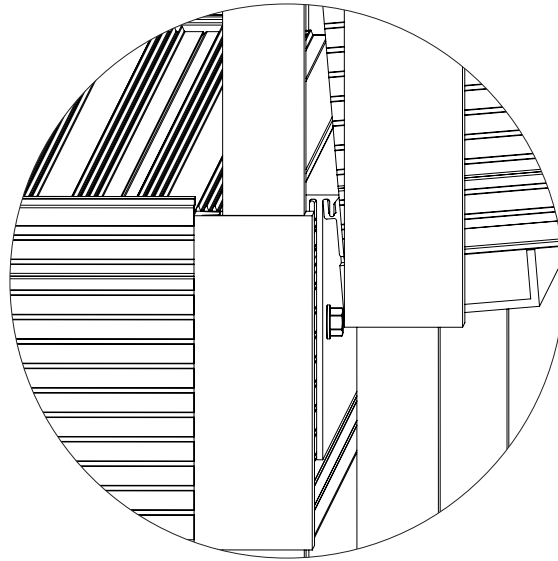
 BTP must be fully supported on the ground and cannot free span.

2. In tight spaces you may need secure the BTP to last ramp section and then bring it into location

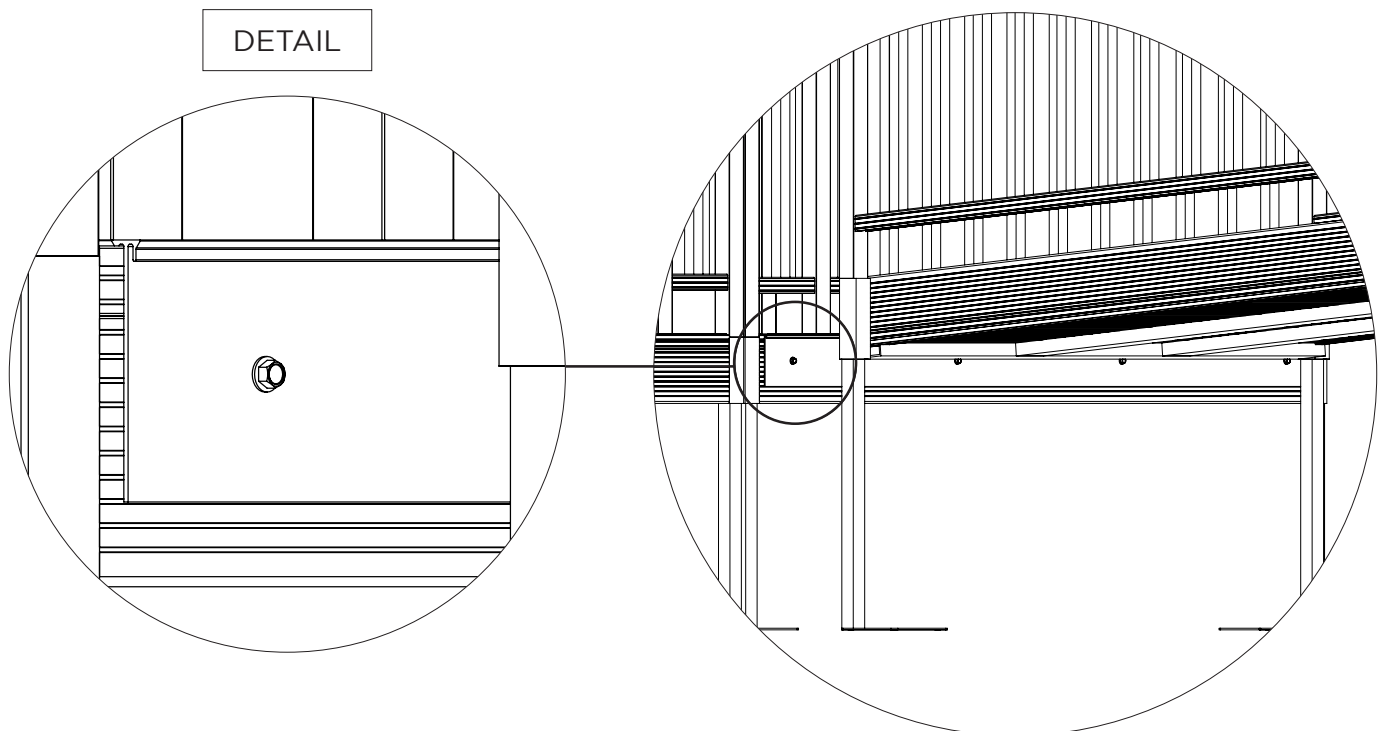


INSTALL RAMPS LEADING INTO A PLATFORM

1. When the ramp leads into a platform there will be two grooves that meet up. To join these, you will need to use the platform connector bracket.



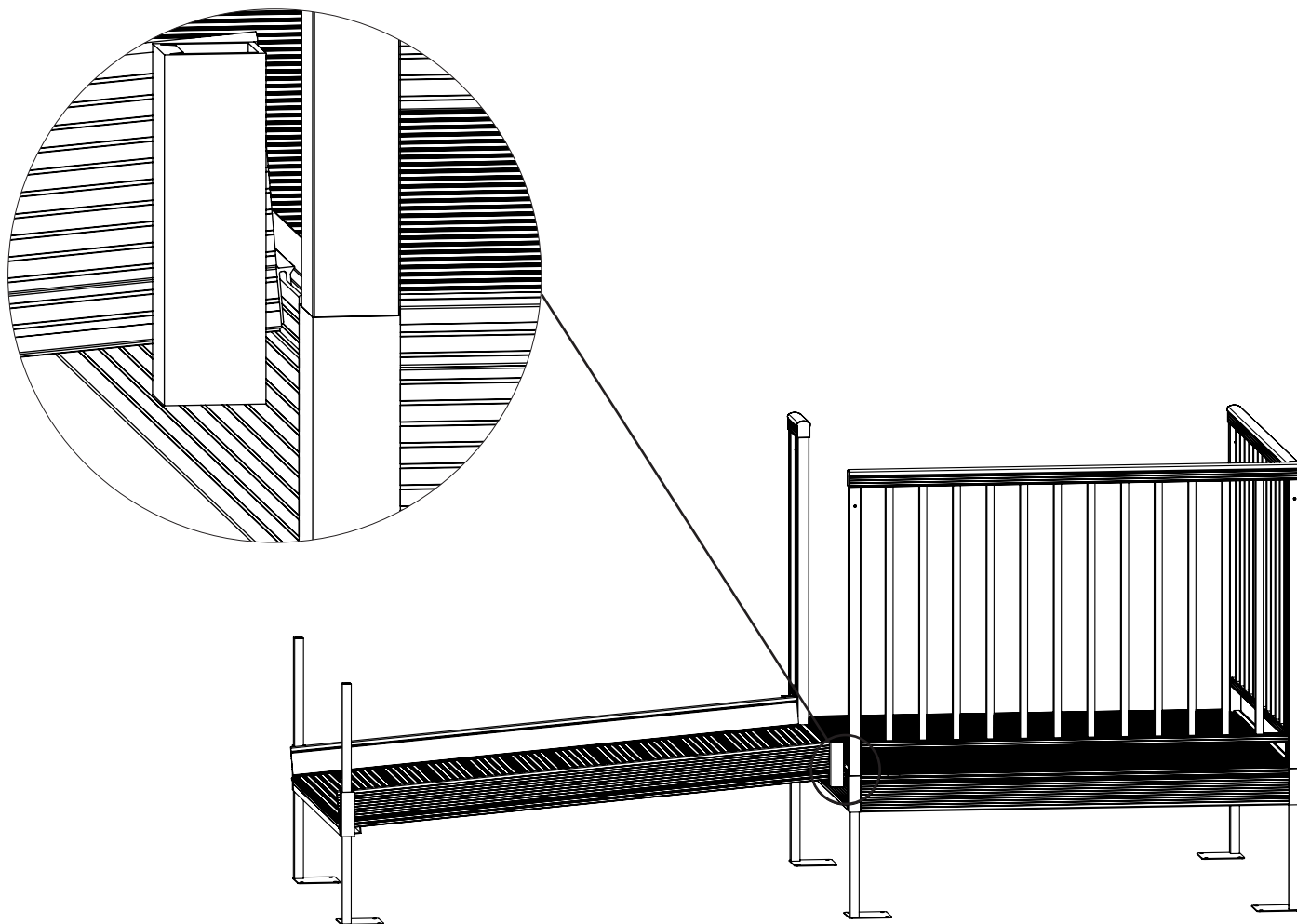
2. Make sure to use two legs in the last section, and four legs in the platform that it is joining to.
3. Once the platform and the bottom of the joining ramp section are flush you can slide the platform connector bracket between the ramp and platform to keep them from drifting apart.
4. After the platform bracket is inserted between the ramp and platform and leveled and there is not a trip hazard you can then go underneath and secure the platform connector bracket to the platform with 3 self-tapper screws



INSTALL RAMP GOING AWAY FROM A PLATFORM

A ramp can leave a platform on any of the four sides. The platforms have grooves around all four sides.

Simply hook the back of the ramp section the hook side into the platform of the side you desire to leave from.



ATTACH SUPPORT LEGS TO RAMPS

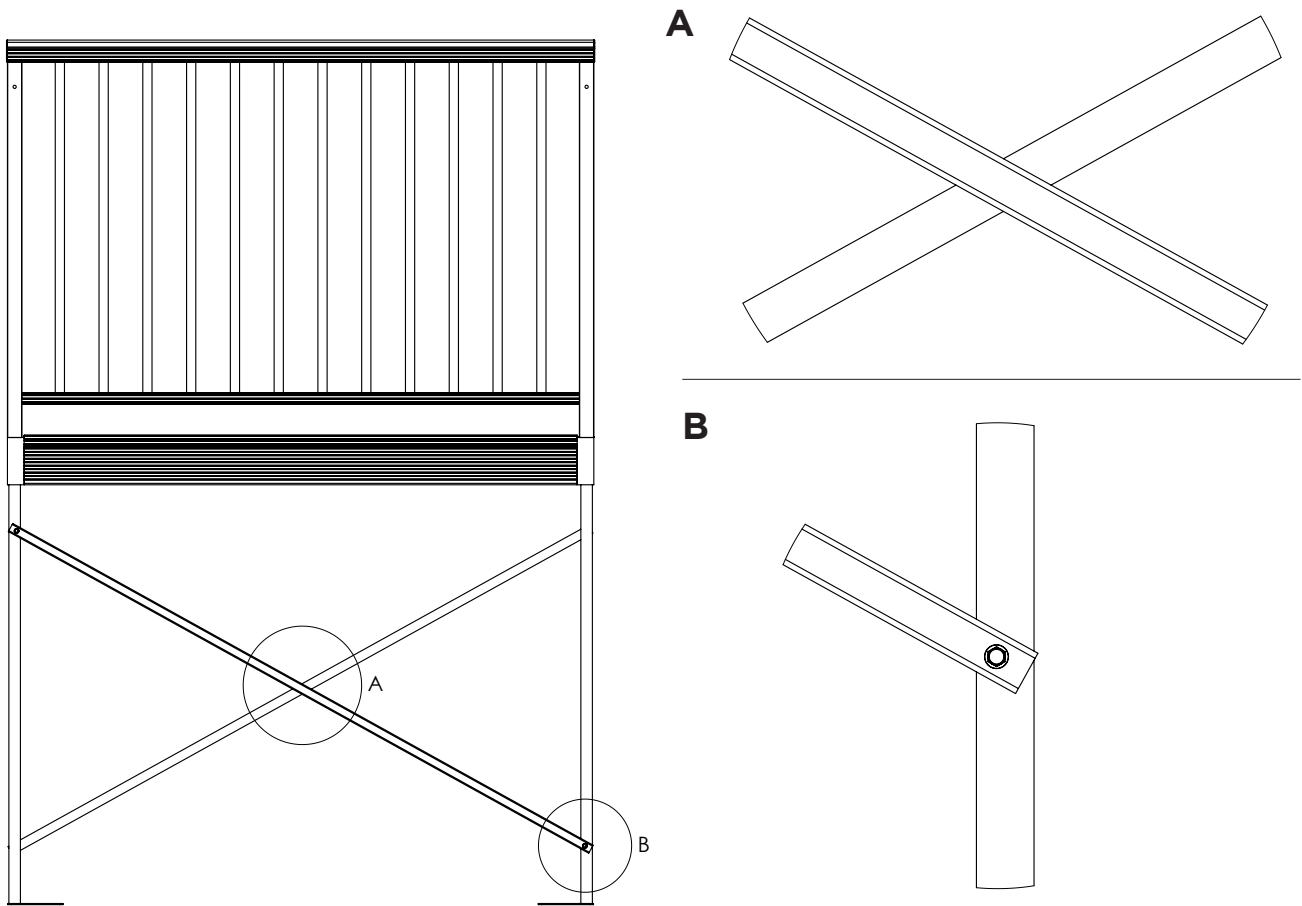
1. To insert support legs into a ramp section lay it on its side so its easiest to handle. Simply insert the legs to the desired height. Remember to measure from the bottom of the leg to the walk surface
2. Once legs are at desired height tighten the set bolt Use 9/16" socket to tighten the set bolt in the cone, snug fit just enough to hold the support legs in place but do not over tighten.



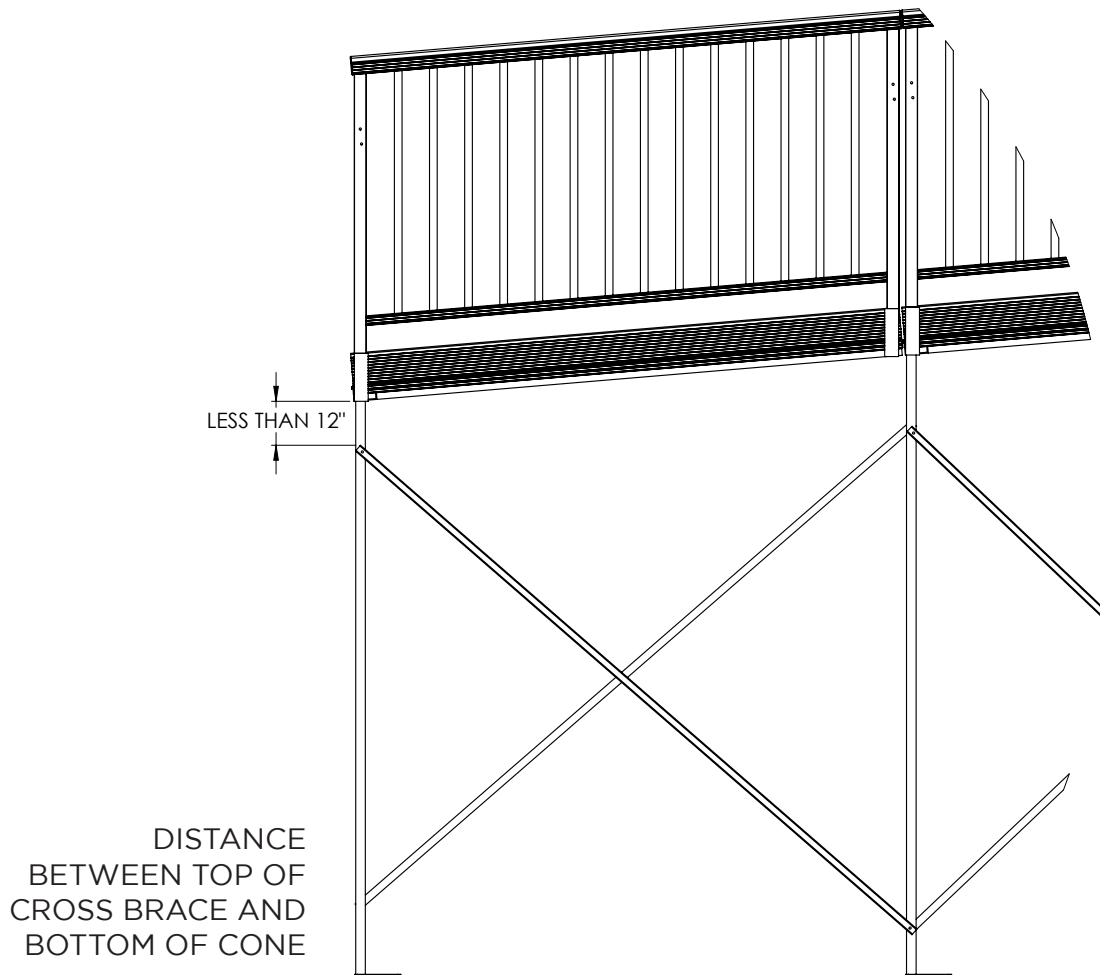
Do not attempt to walk on the platform until all support leg set screws and self-tapper screws have been tightened securely.

INSTALL CROSS BRACE - RAMPS

If the ramp walking surface is over 36" high, (CROSS BRACE) must be installed under the ramp



1. Assemble the cross brace by installing the one end of the channel no more than 4 inches from the bottom of the ramp leg. Secure the channel to the leg with a $3/8$ self-tapper. It is recommended to pre-drill the leg first to make the install easier.
2. Once the bottom is secured pivot the other end of the channel up until you can secure top of the channel to the top of the adjacent leg. use a $3/8$ self-tapper to secure the cross brace to the leg.
3. If needed for the location, trim the ends of the cross brace to fit.
4. Make sure all fasteners are secure.

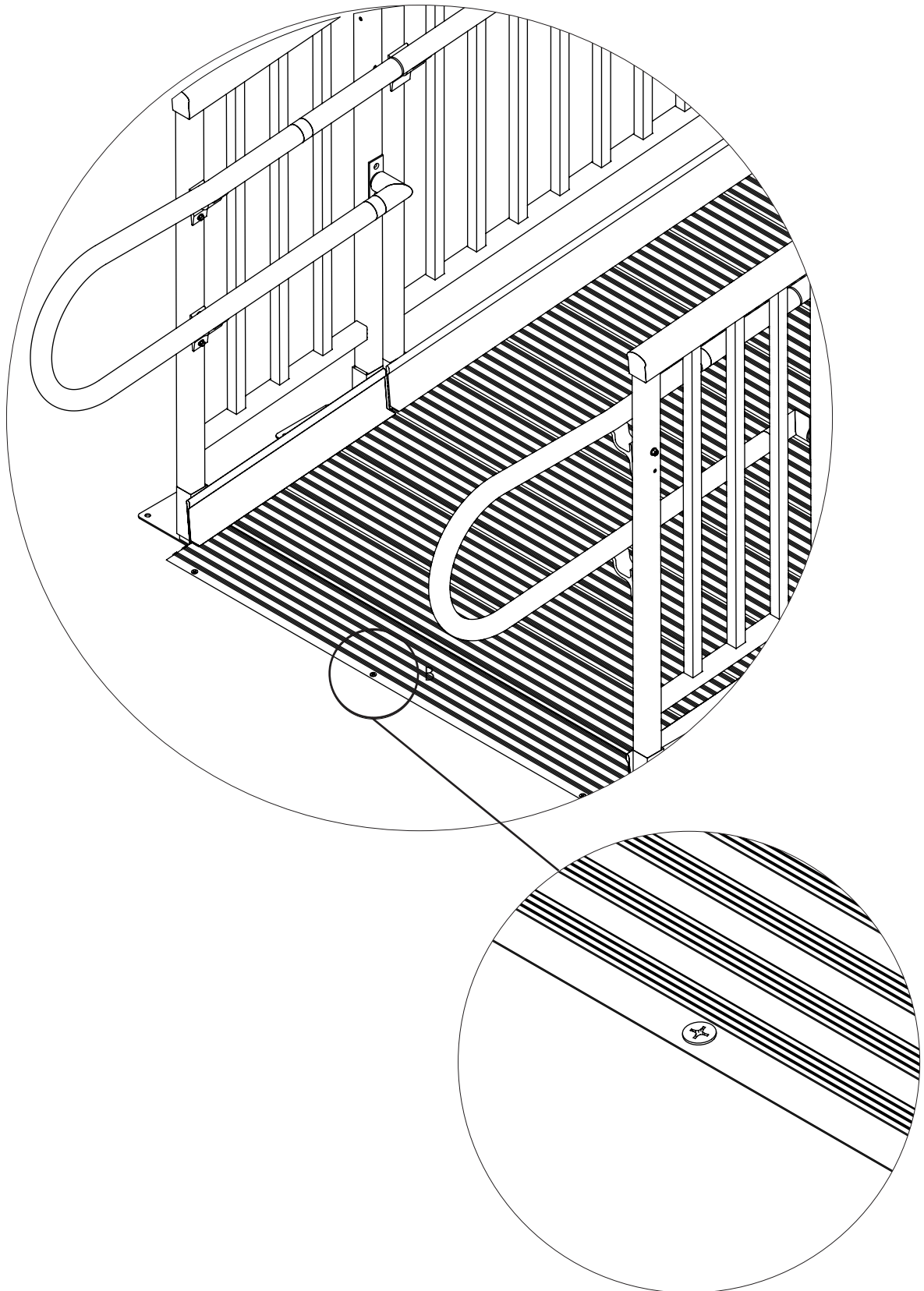


INSTALL A SINGLE RAMP OR RAMP RUN TO AN EXISTING STRUCTURE

1. It is recommended to secure a ramp or platform to a structure if possible. The latitude series ramp and platforms are free standing, but this will add extra support.
2. You can lag through the side walls of the platform into an existing building. It is recommended to use at least a 4" lag. Please ensure that you are going into fixed concrete and won't hit any utility lines.
3. For Ramp sections you must anchor every leg to the concrete where at all possible. A concrete anchor is recommended. There are three holes in each leg for anchoring to concrete. See local codes for minimum anchor requirements.

ANCHOR BOTTOM TRANSITION PLATE

To anchor a Bottom transition plate drill 3 holes equal distance apart. Secure with a flathead concrete type screw to ensure that it doesn't interfere with the walkway or create a trip hazard. More screws can be added if necessary.

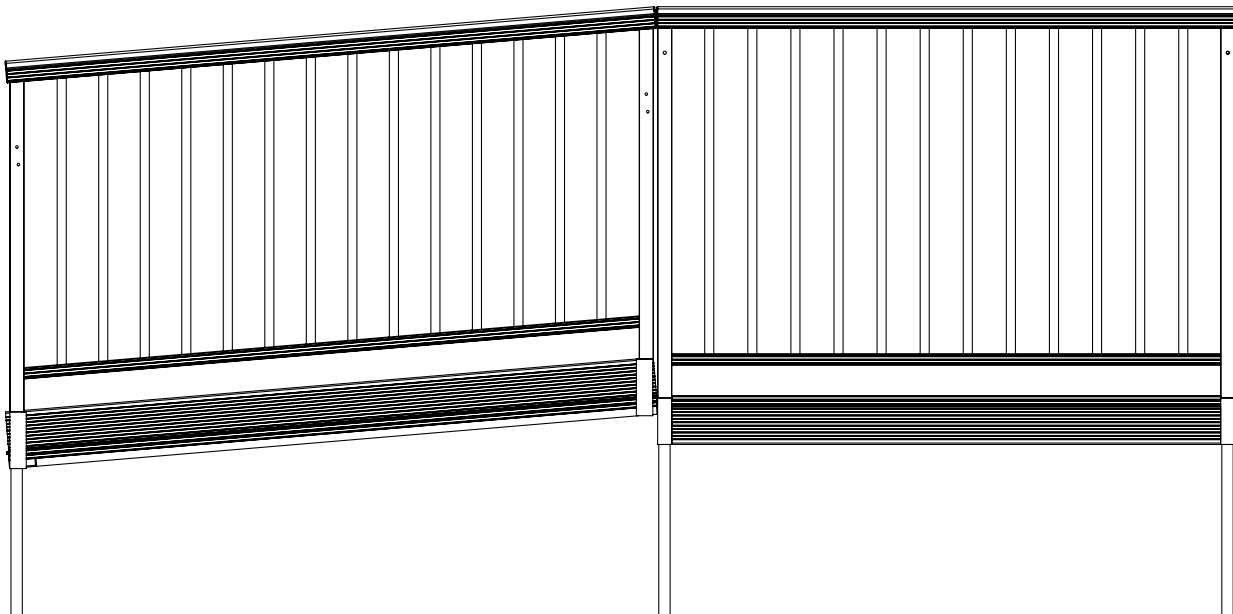
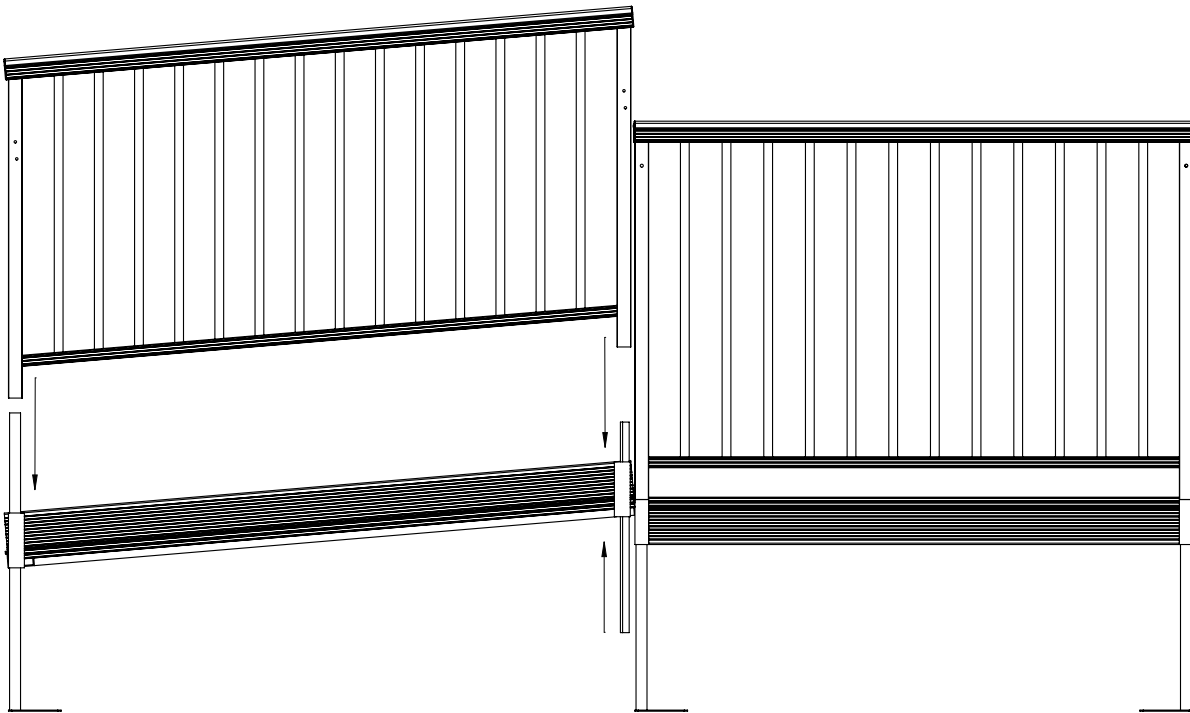


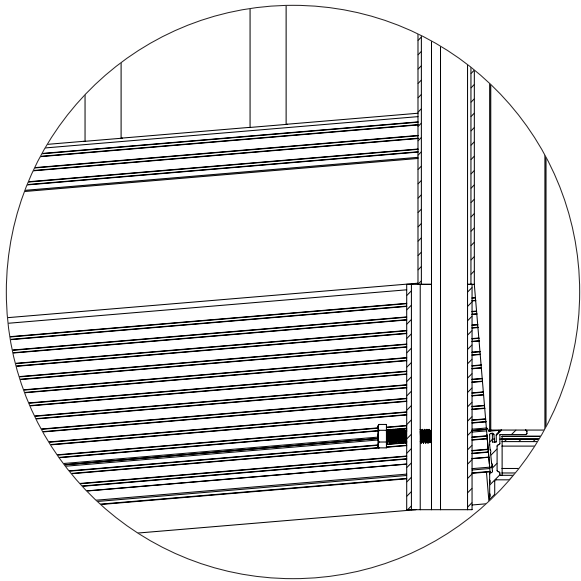
GUARD-PICKETS

RAMP GUARD

Guards are specific to the ramp length they are ordered for. They should not be used in any other applications.

The ramp guards slide over the leg and the channel legs insert

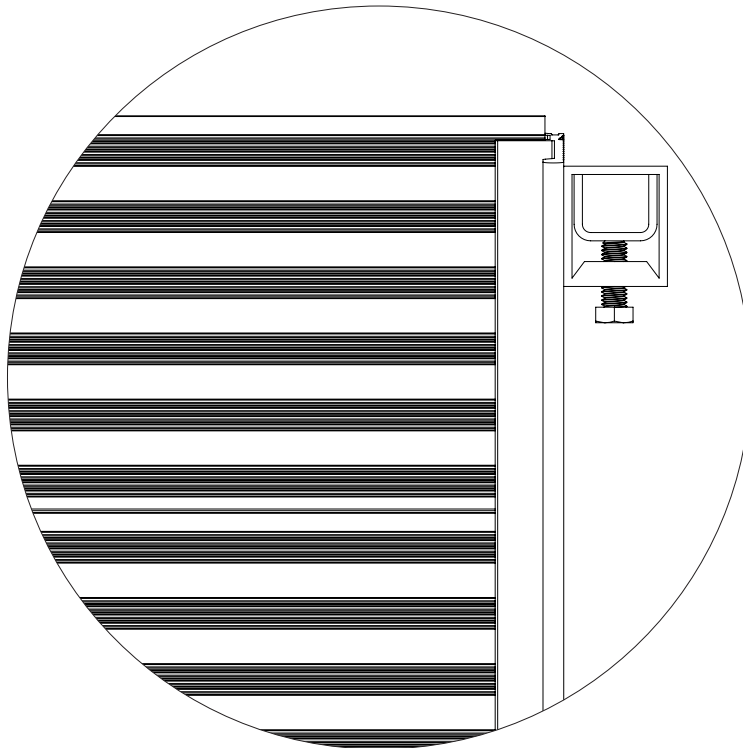




Start by sliding the guard over the leg that is in place. Then insert the channel leg insert up through the bottom of the cone on the back of the ramp.

NOTE: The flat side of the channel should be facing the opened hole for the set bolt so that once it is tightened it will cause the tube to move against the end channel.

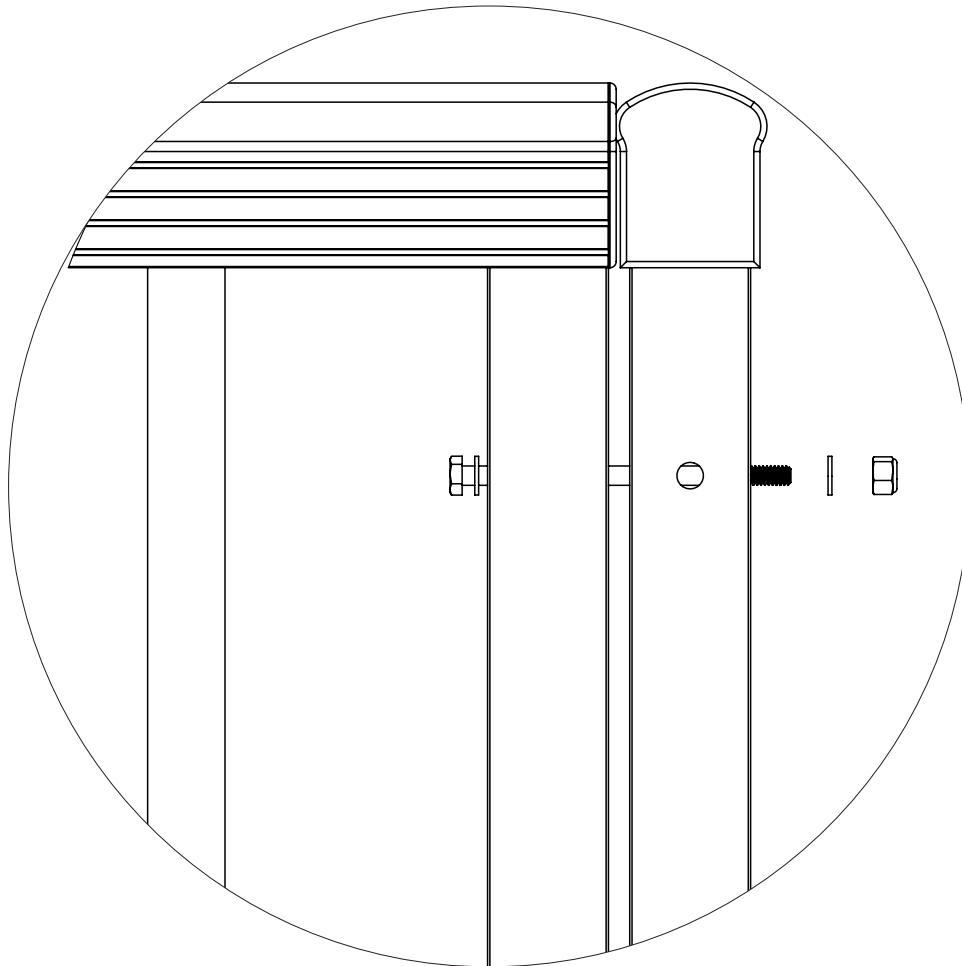
Once channel leg insert is inserted tighten 1" set bolt the channel leg insert should then tighten against the end tube of the guard causing a snug fit. Don't install the zip screws at this point, that will be done once internal rails are secured



CONNECTING MULTIPLE RAMP GUARDS

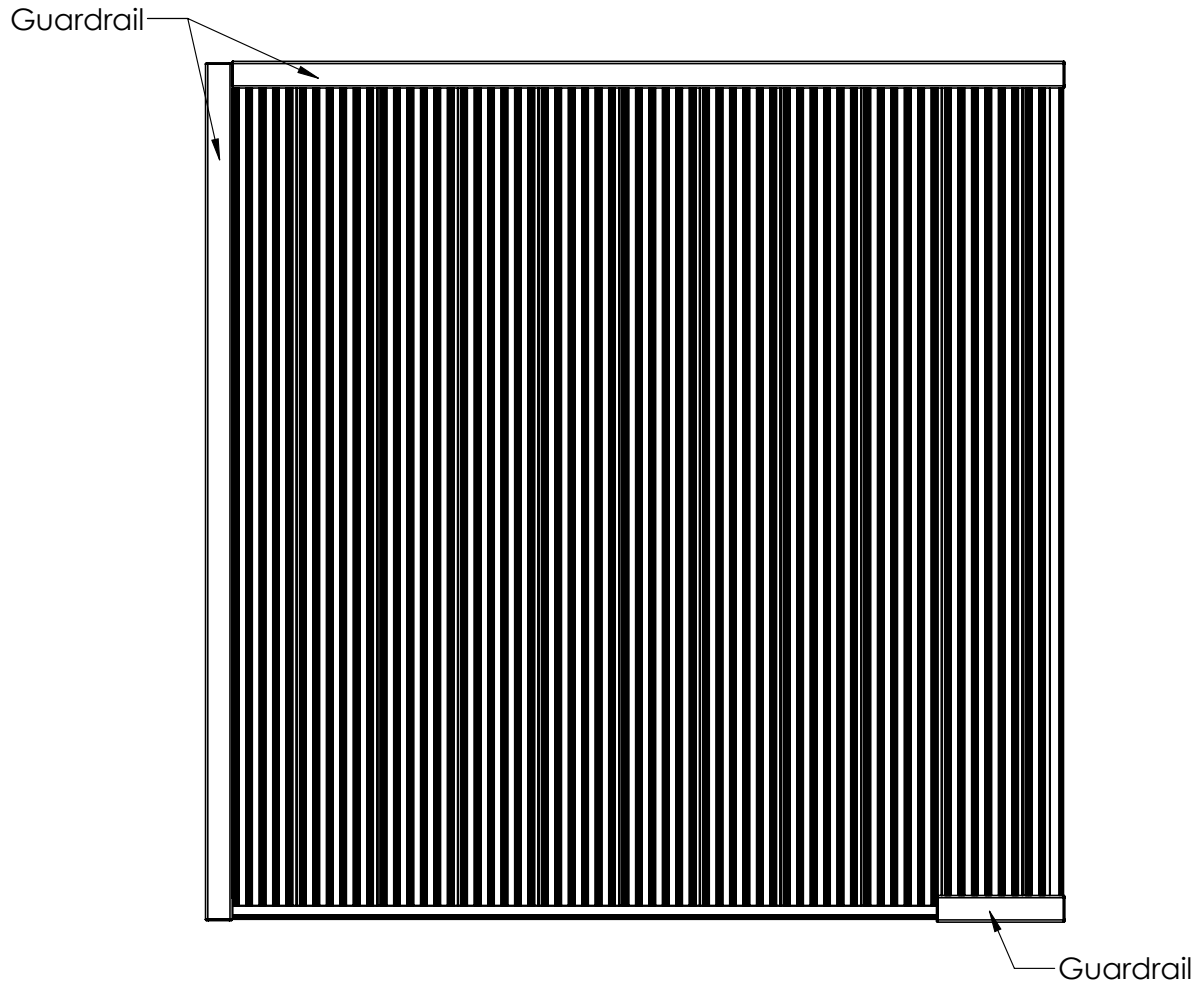
NOTE: leave the pickets loose until internal grasping handrails are installed

1. When connecting multiple guards in a row you will need to connect them at the top with the 4.25- -20 hex head bolt. It is recommended to leave it loose until after the internal rails are connected.
2. Insert the plastic end caps in both sides of the top rail before installing the guards
3. Insert the 4.25- -20 hex head bolt through the end tube on the picket with washers on both sides. Then put a lock nut on the other side with a ss acorn nut after that so no threads are exposed.



PLATFORM GUARDS

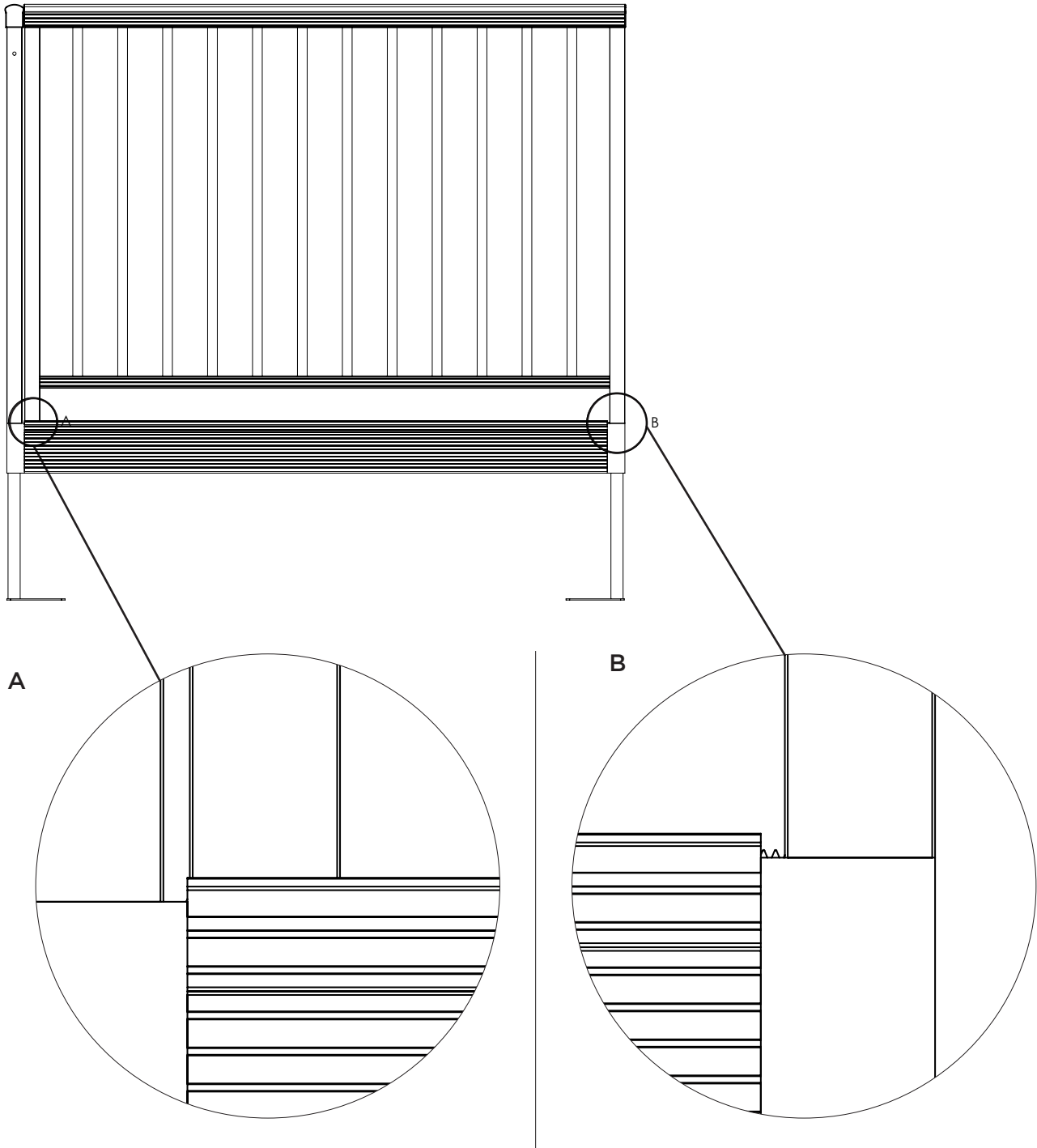
There are a long and short version of the 5' and 6' platform guards. This is to ensure that they can be tied in correctly. Long guards must mount to two legs, and short guards must mount to one leg. All platform guards must be mounted to at least one leg. Please confirm you ordering the correct guards depending on your layout.



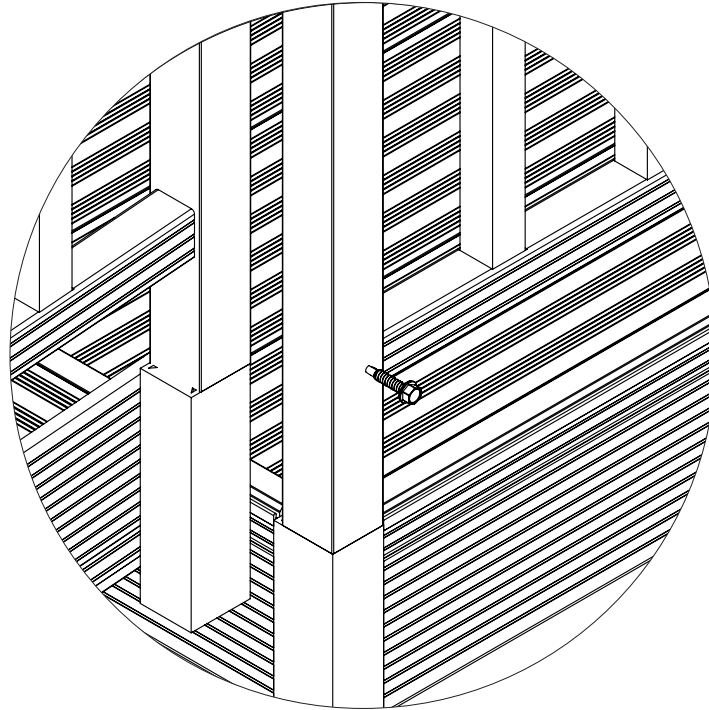
1. Insert the plastic end caps in both sides of the top rail before installing the guards
2. When installing platform guards on a straight platforms or thru platform you will use long guards on bot sides.
3. Simply slide the guards over the legs poking though the platform cones.

NOTE: That the legs must be sticking though at least 18" to give adequate support to the guards

4. Confirm that the guards are sitting flush on top of the cones. This will confirm correct height. Note: Posts are different heights on 5' and 6' short platform guards, as well as all filler pickets. Make sure the longer post is sitting on top of the cone.



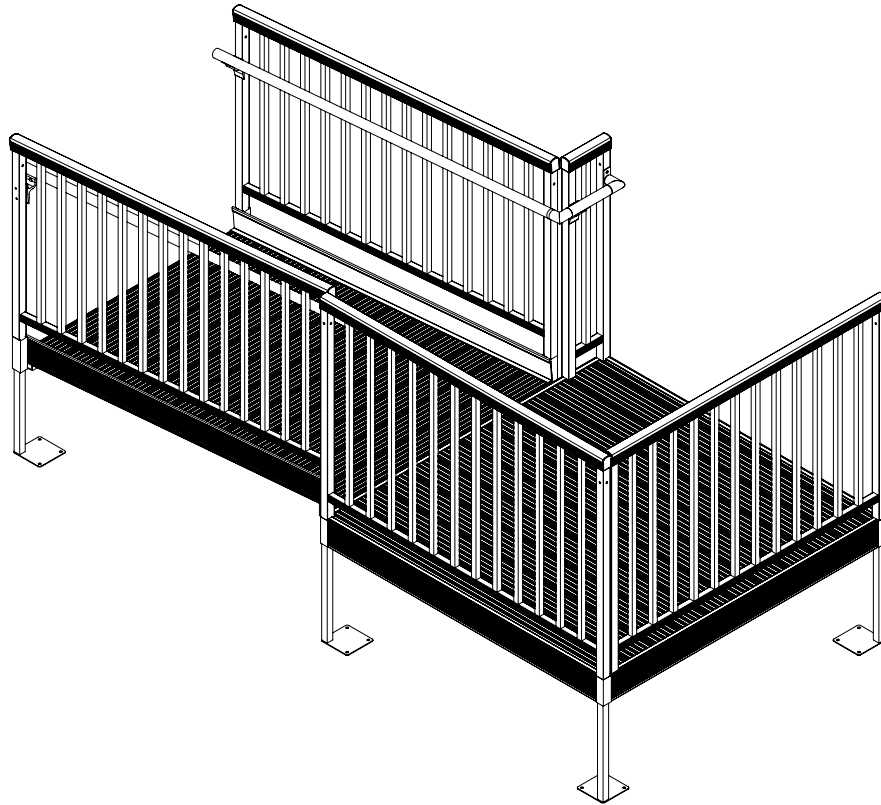
5. Once platform guards are installed, they can be secured using self-tapper zip screw.
6. On the outside of the guards insert a self-tapper screw 4" above the surface of the platform or align with bottom channel of the guard.



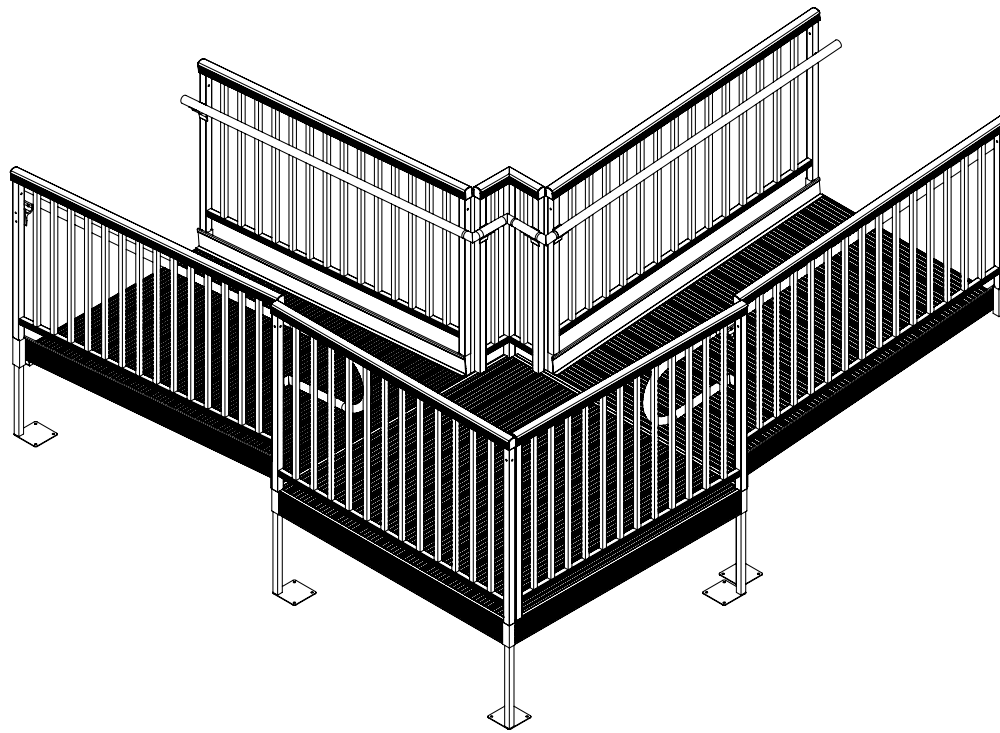
7. Angle brackets must be used to secure platform guards anywhere that guards meet in a corner, as well as to secure platform guards to the guards on ramp sections leading into or away from the platform. Angle brackets must be fastened with zip screws.

FILLER GUARDS

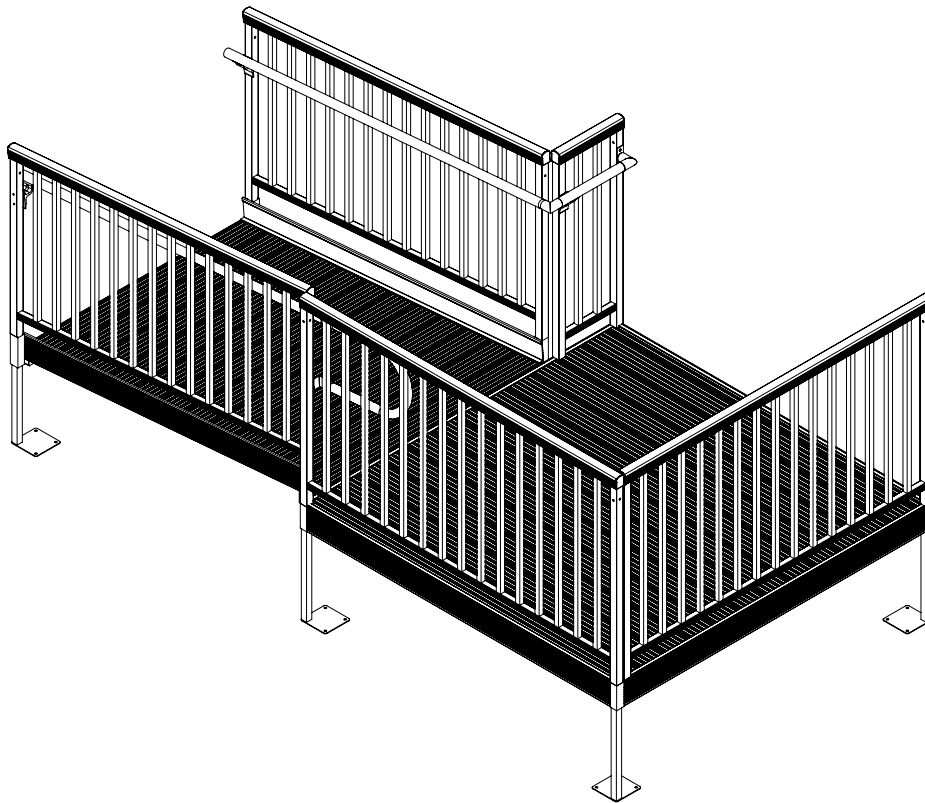
Filler Guards are used to close the distance on platforms. There are seven different types of filler pickets, there are:



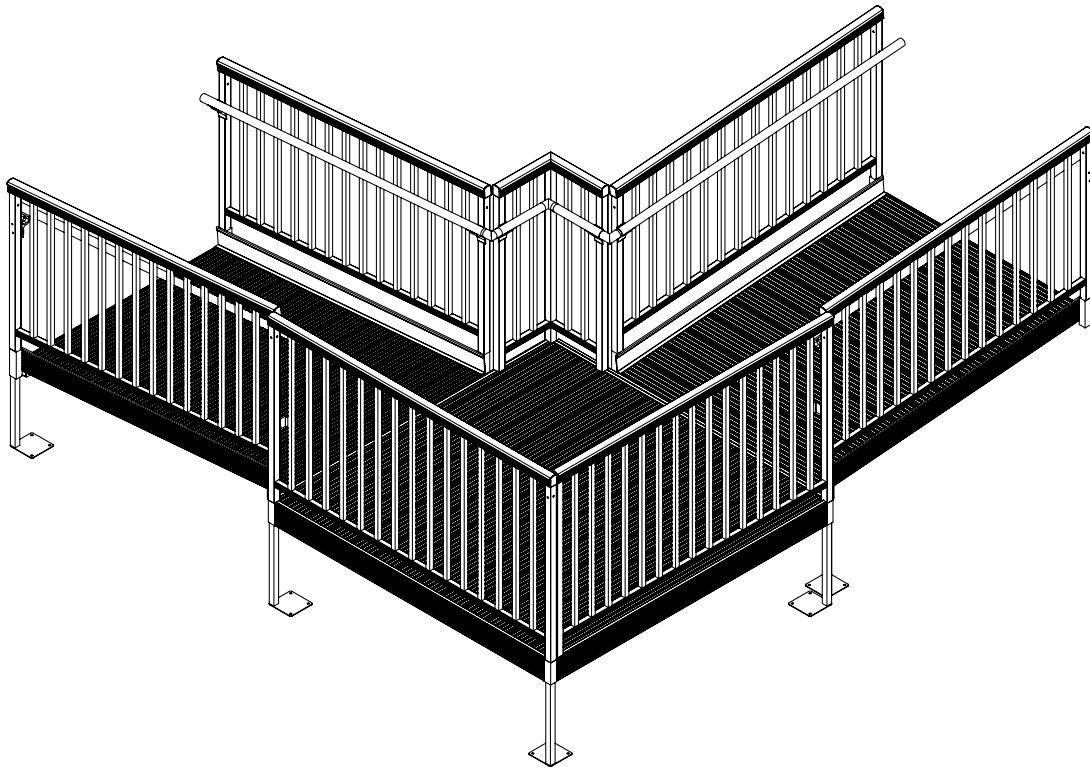
PART N° ▶ 5231-07 | 7" STRAIGHT PICKET
APPLICATION ▶ 5' WIDE PLATFORM WITH 54" RAMPING



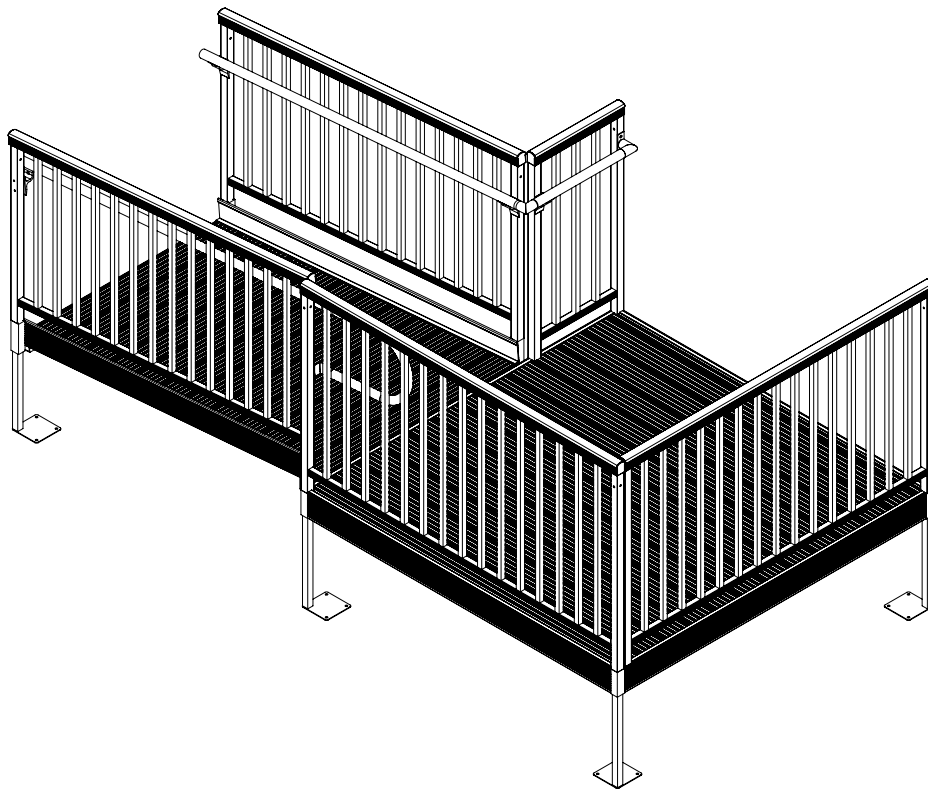
PART N° ▶ 5231-09 | 9" EQUAL L PICKET
APPLICATION ▶ 5'X5' PLATFORM WITH 48" WIDE RAMPING FOR A L CORNER



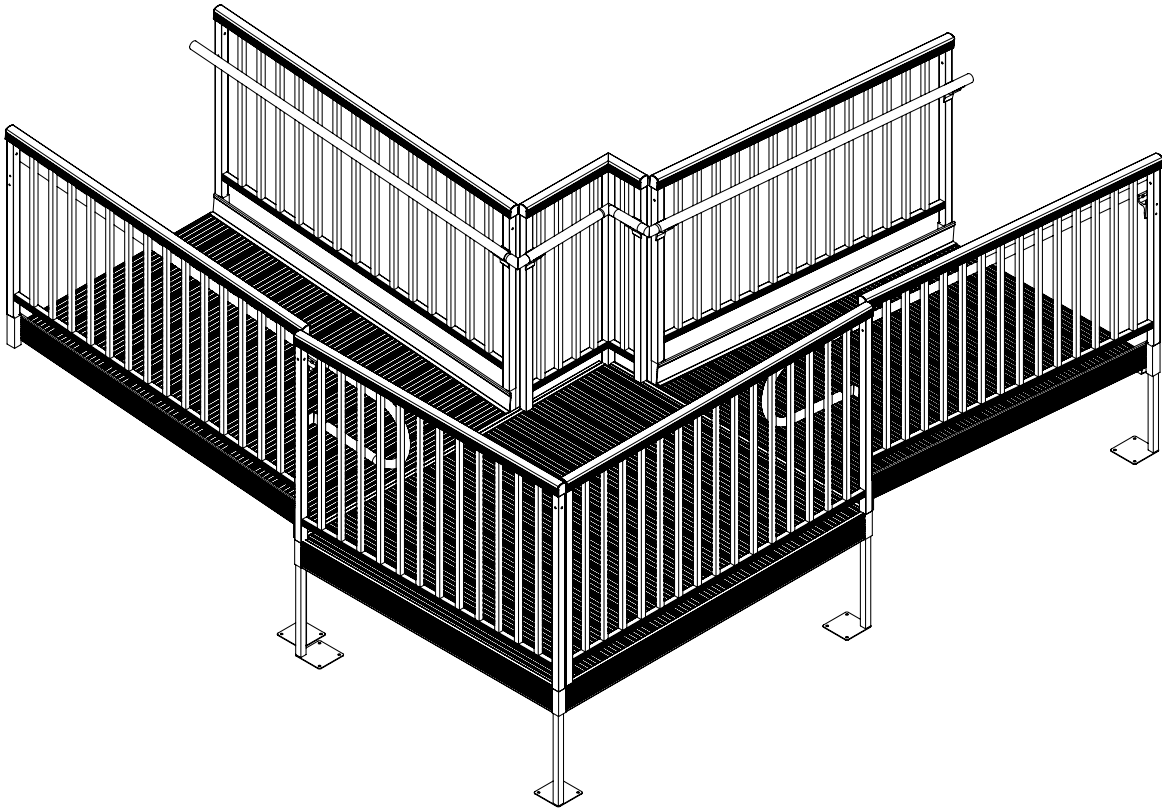
PART N° ▶ 5231-13 | 13" STRAIGHT PICKET
APPLICATION ▶ 6' WIDE PLATFORM WITH 54" RAMPING



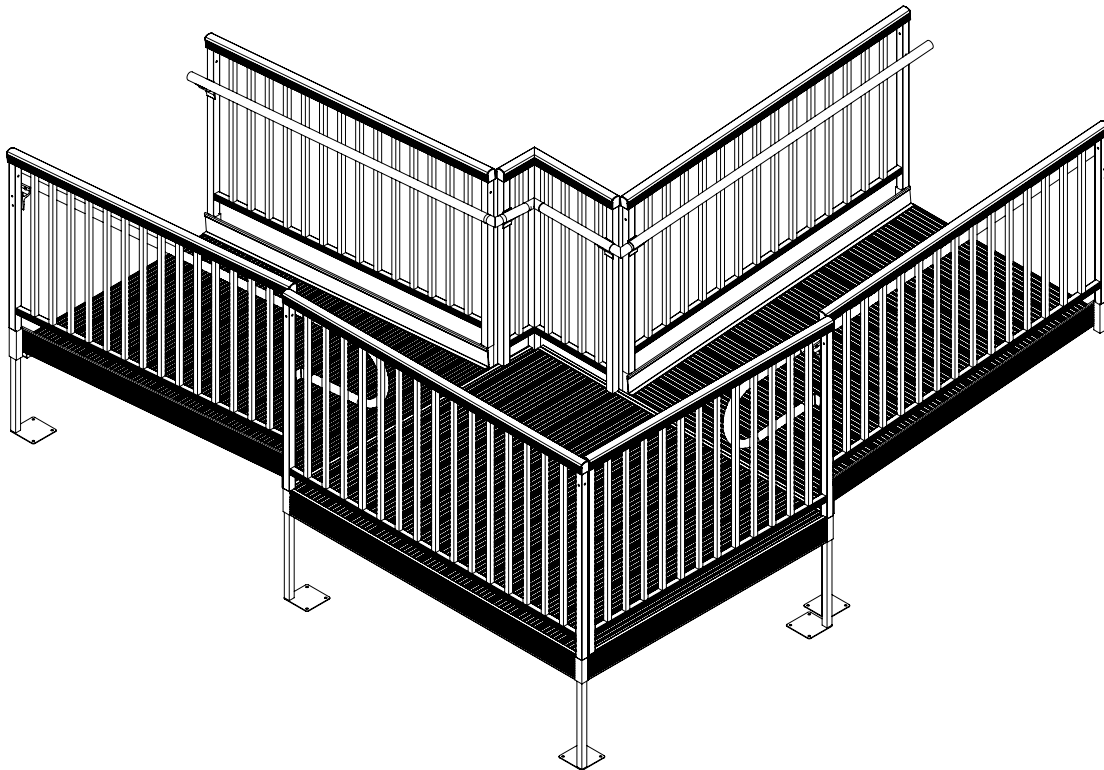
PART N° ▶ 5231-15 | 15" EQUAL L PICKET
APPLICATION ▶ 6X6 PLATFORM WITH 54" RAMPING FOR A L CORNER



PART N° ▶ 5231-19 | 19" STRAIGHT PICKET
APPLICATION ▶ 6' WIDE PLATFORM WITH 48" RAMPING



PART N° ▶ 5232-21-9-L | 21"X9" L LEFT PICKET
APPLICATION ▶ 5'X6' PLATFORM L CORNER TURNING LEFT



PART N° ▶ 5232-21-9-R | 21"X9" R RIGHT PICKET
APPLICATION ▶ 5'X6' PLATFORM L CORNER TURNING RIGHT

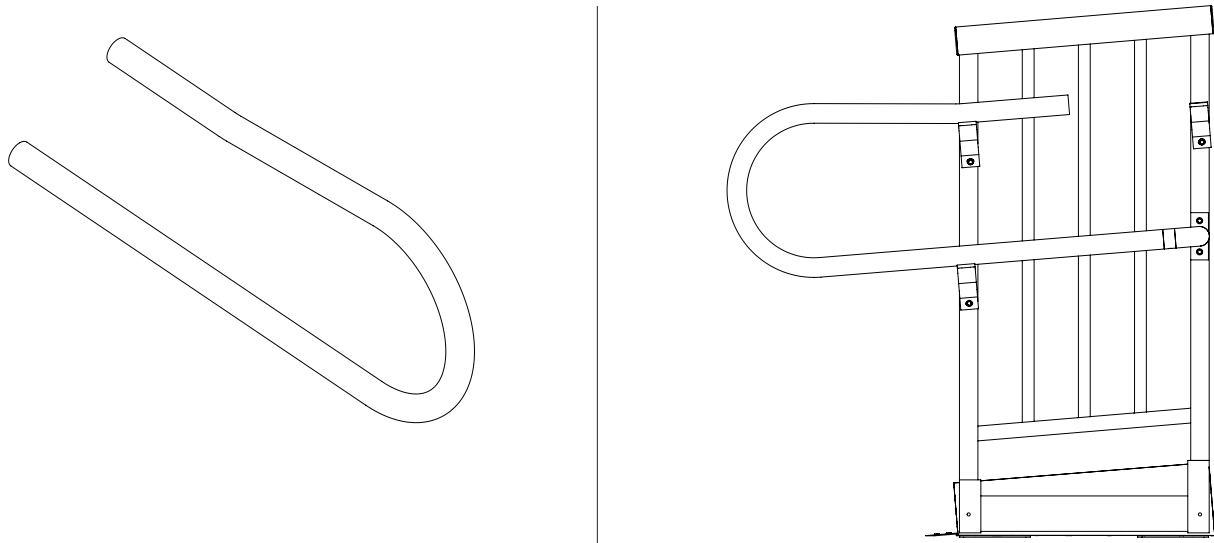
1. When inserting the filler guards make sure to insert the plastic filler caps first before installing
2. Shaped Guards- these simple slides over the leg sticking through the platform. You must ensure that the legs is sticking though at least 18" for adequate support for the guards
3. Straight Filler guards- One end will slide over the leg sticking though the platform. The other end will need to be though bolted at the top into the ramp adjacent ramp picket. You may have to drill a hole for the bolt to connect here.
4. In some situations (ex: when a 54" wide ramp section connects to a platform) there will not be sufficient space to mount a filler picket. In this case, a filler post must be mounted over the leg. A black square plug cap, must then be inserted into the top of the filler post.

NOTE: On certain install sites, such as schools, you are required to fill any unused holes in the pickets. In this case, you must request hole plugs when the ramp is ordered. The plugs must be inserted into any hole that does not have a bolt in it.

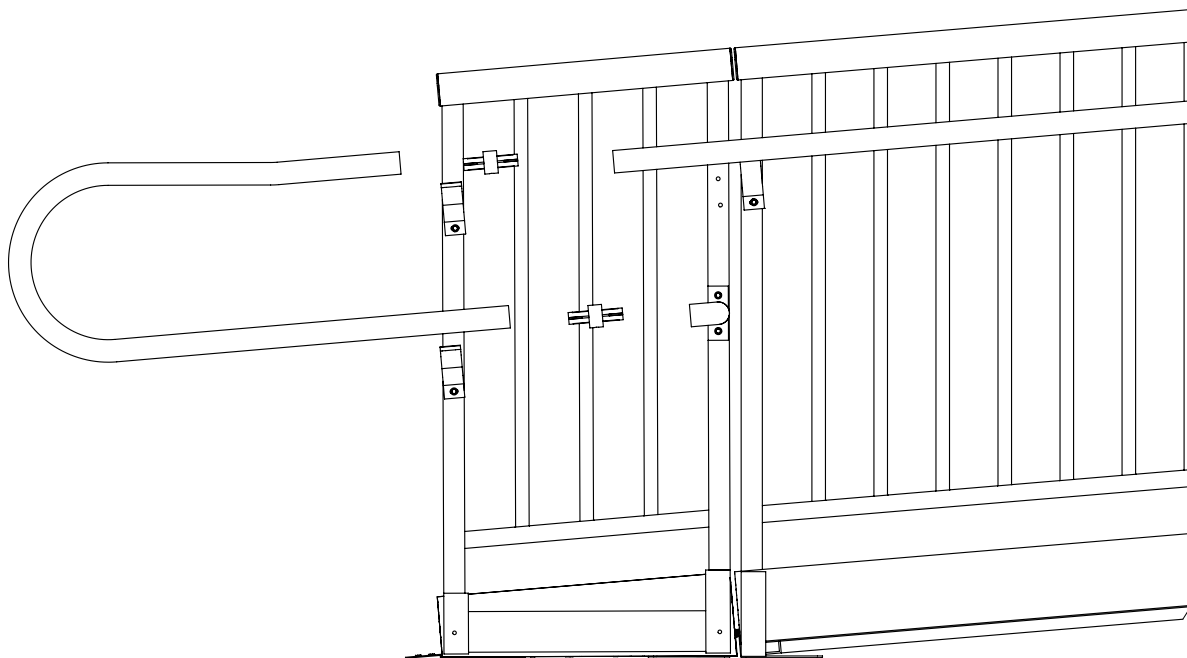
LOOPS

There are two types of end loops used. The platform end loop and the bottom transition plate end loop

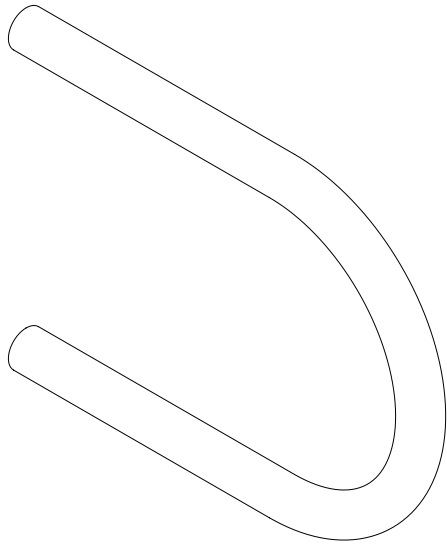
BOTTOM TRANSITION LOOPS



The bottom transition plate end loops are only used on the BTP mounting to the guards. The BTP has a 5-degree bend in the top. That must always be the top rail. See diagram below of how end loop mounts



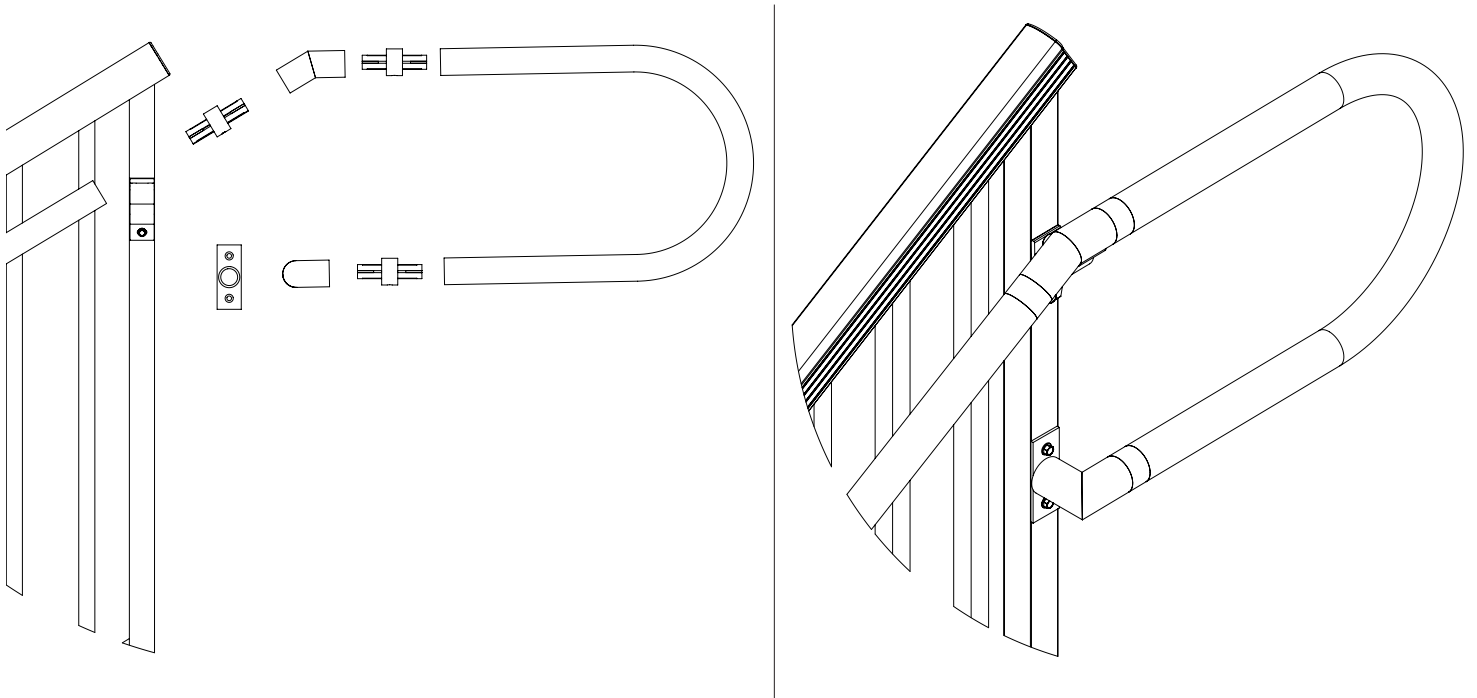
PLATFORM END LOOPS



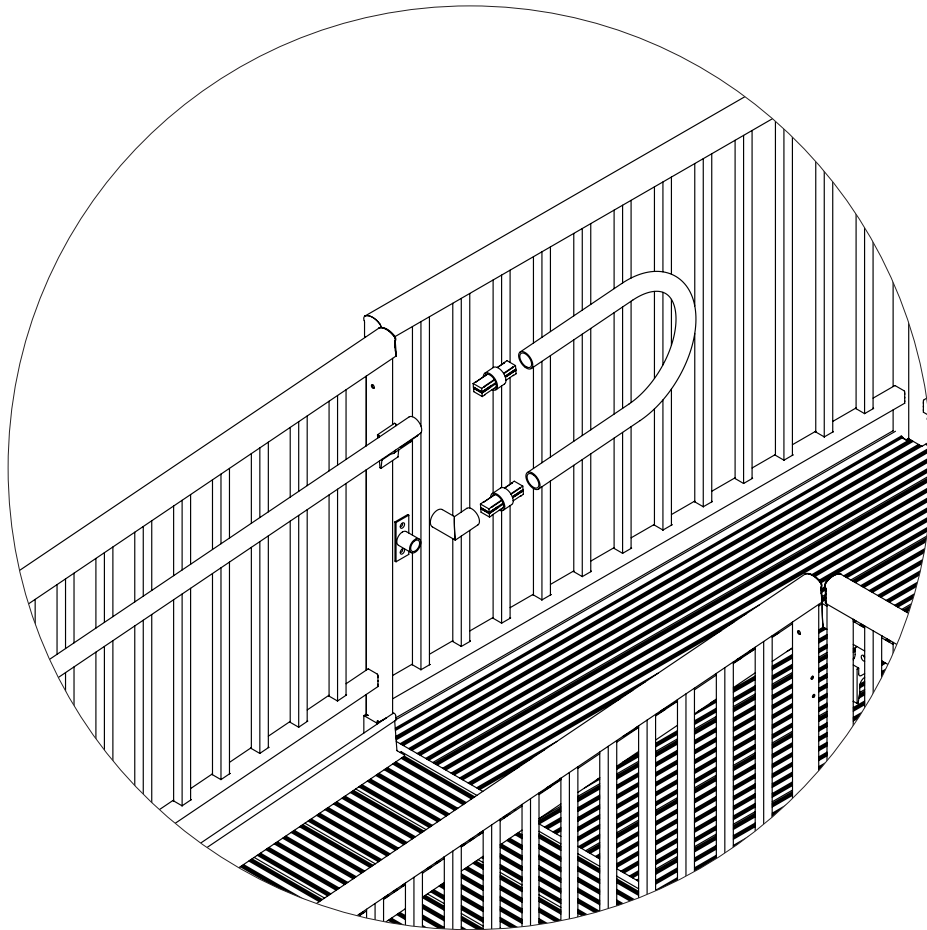
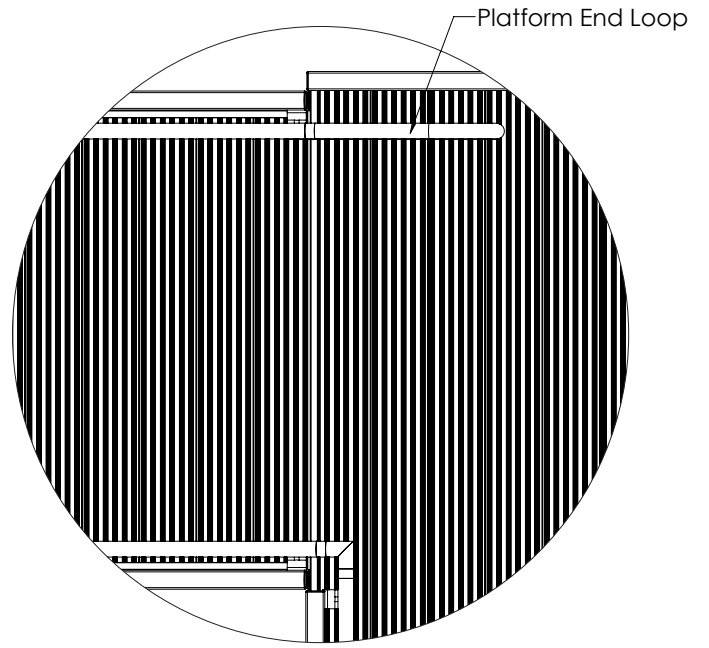
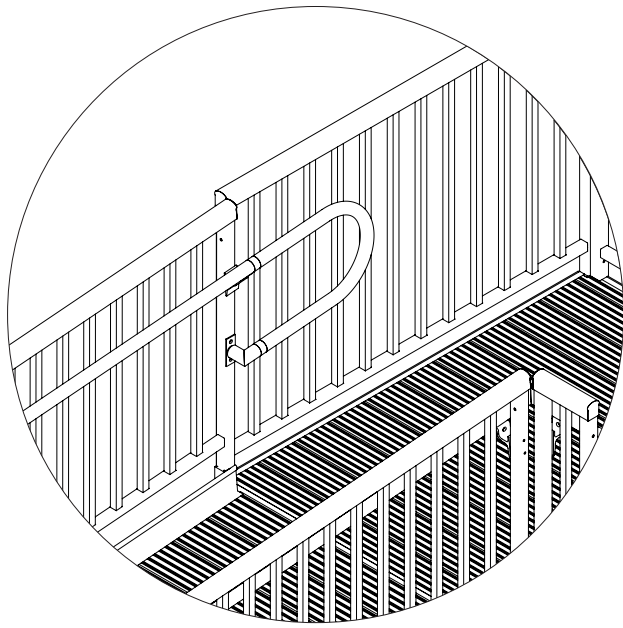
Platform end loop. The platform end loops are primarily used on the outside when a ramp comes in or leaves a platform.

It will also be used on the top or bottom of step guards with the 30-degree elbows.

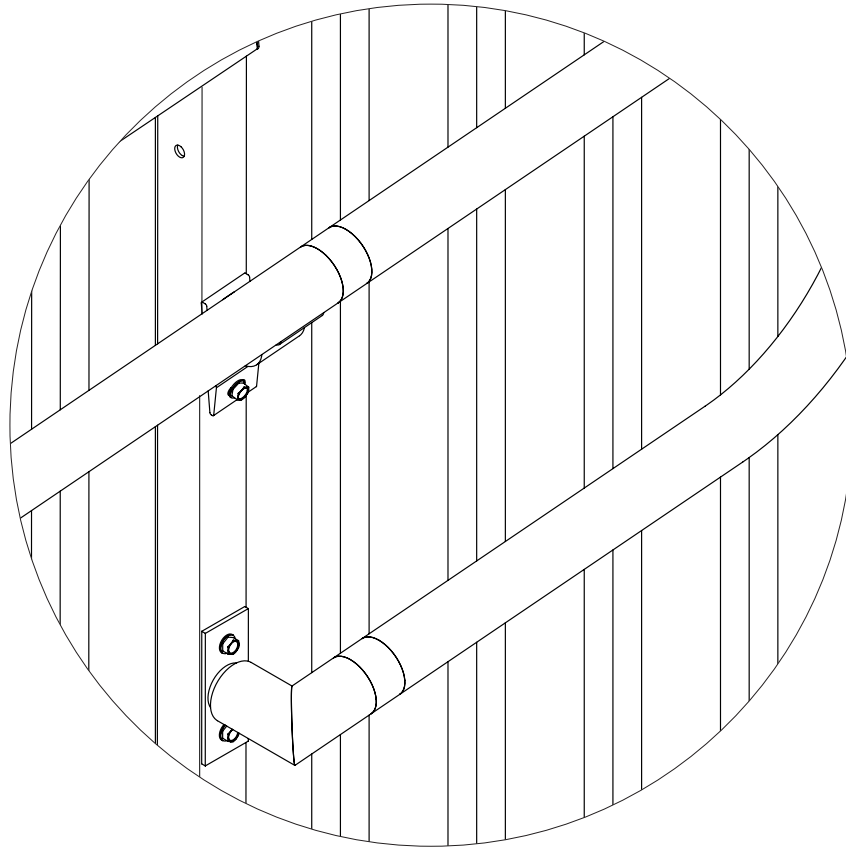
WHEN USING PLATFORMS LOOPS ON STEPS:



WHEN USING LOOPS OUTSIDE OF PLATFORMS:



1. When using the metal rail connectors to secure the loops always make sure that the Allen key screw is facing down.



2. Tighten the set screw in the metal rail connector until it is snug. Do not over-tighten the screw, as this will cause it to strip out.
3. Platform loops should not be used if they conflict with stairs coming off of the platform, a door coming onto the platform, or are protruding into the walkway.

INTERNAL GRASPING HANDRAIL

Internal grasping handrails can be mounted on the 48" and 54" latitude ramp systems, platforms and steps.

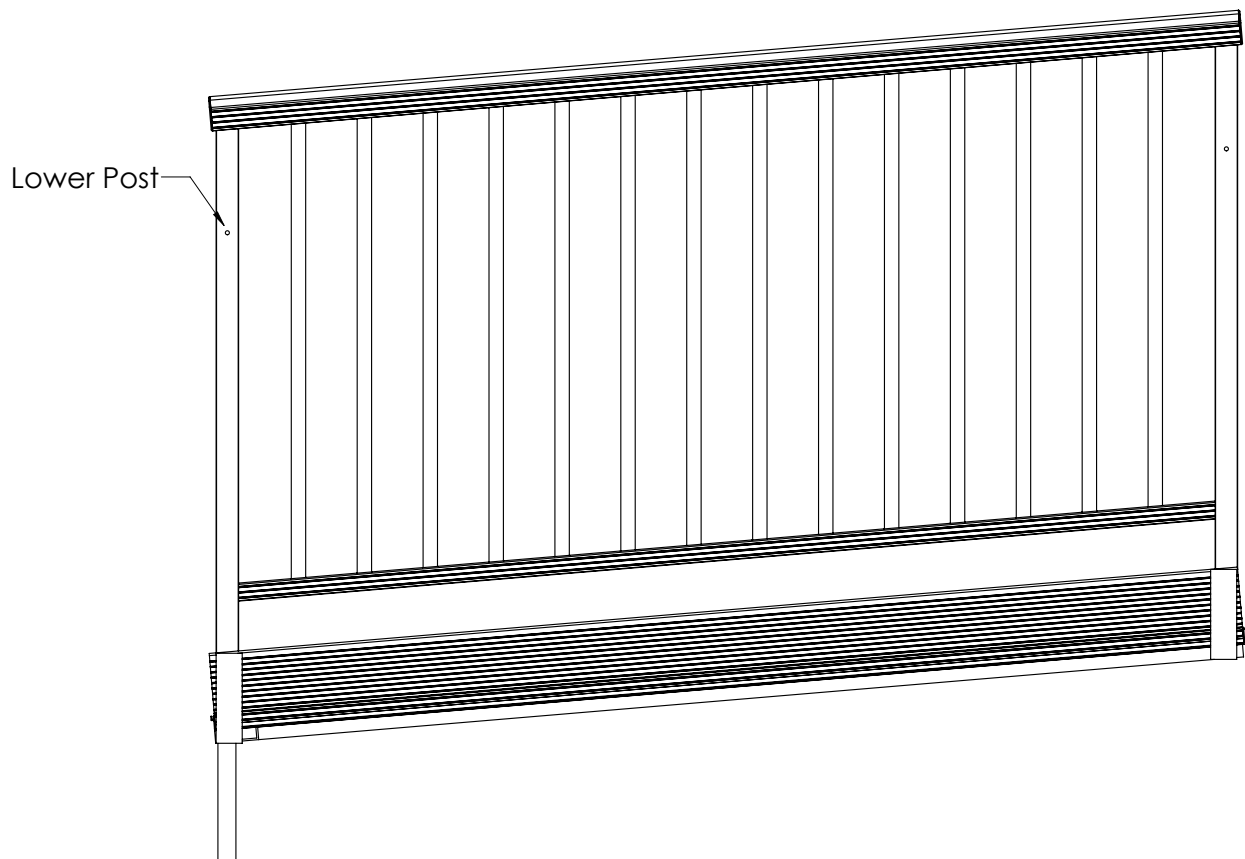
The internal handrails come in two different lengths, the 65" and the 77" lengths. This is reducing the number of splices needed.

5 MAIN COMPONENTS USED WHEN INSTALLING THE GRASPING HANDRAIL BRACKET:

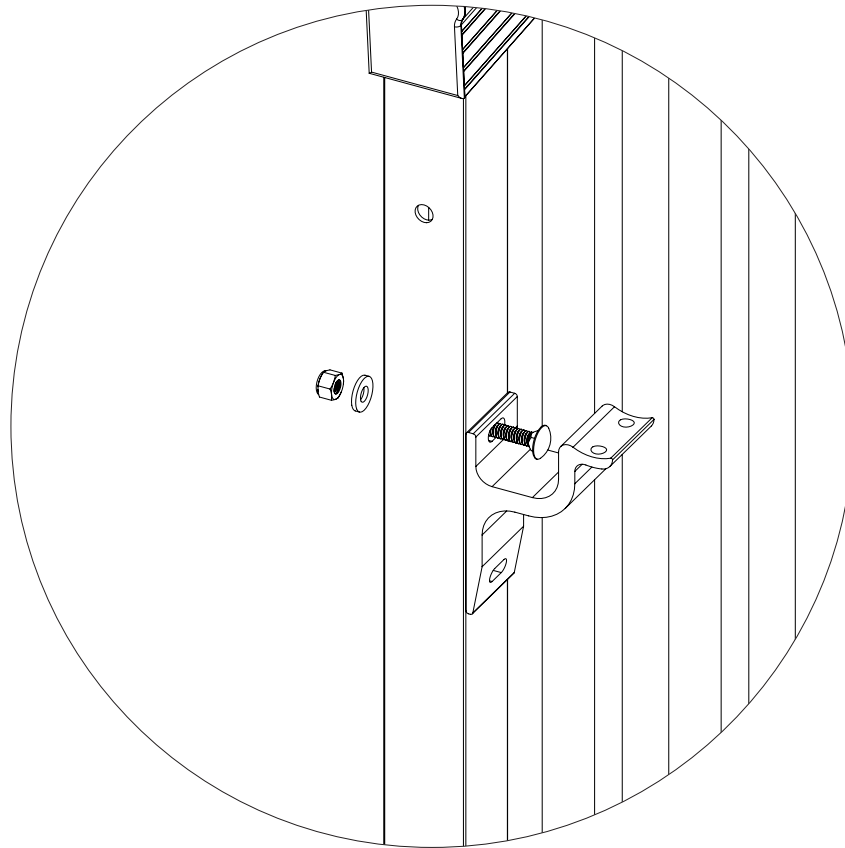
- ⊕ Grasping Handrail Bracket
- ⊕ Pipe 65" or 77"
- ⊕ Metal Elbow
- ⊕ Post return bracket
- ⊕ Metal Rail Connector

INSTALLING INTERNAL GRASPING RAILS ON A RAMP

1. Start by installing the grasping handrail bracket on the lower post of all the ramp pickets. the lower post is the post going toward the BTP.

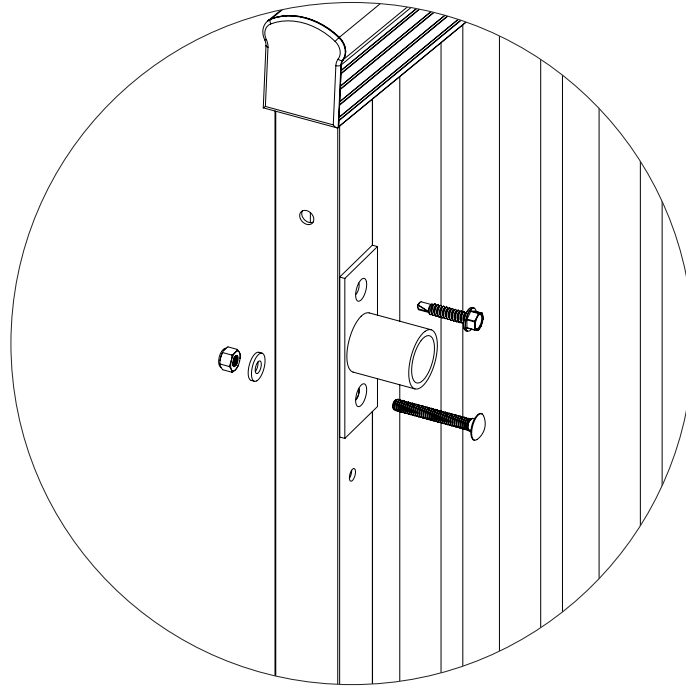


2. Insert the 2"-1/4-20 carriage bolt through the slot on the top of the grasping handrail bracket on an angle to get it to fit through the slot on the other side you will use a washer and a lock nut. Tighten the nut using your fingers first. The nut and bolt will be fully tightened with a wrench, once the grasping handrail is in place.

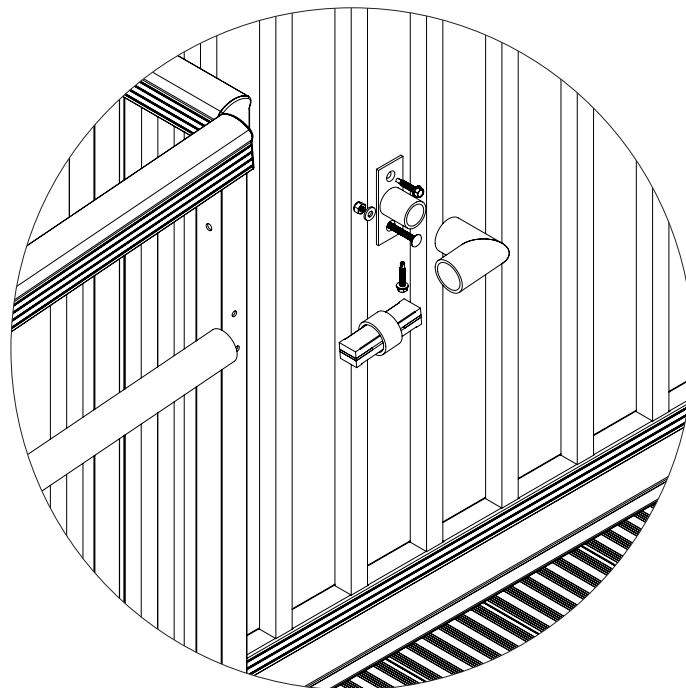


3. The lower hole where the self-tapper will be inserted later. You will need to leave the self tapping off so you can pivot the bracket.
4. Lengths of grasping handrail pipe will be connected to each other using the metal rail connector. The connector is inserted into the ends of both pipes, and the set screw is tightened using an Allen wrench. Do not over-tighten the set screw as this will cause it to strip out.
5. Grasping handrails must be fastened to the grasping handrail mounting brackets using zip screws. If this requires you to drill into a metal rail connector, use a drill bit to pre-drill the hole first.

STARTING INTERNAL RAILS AT THE START OF A RAMP RUN

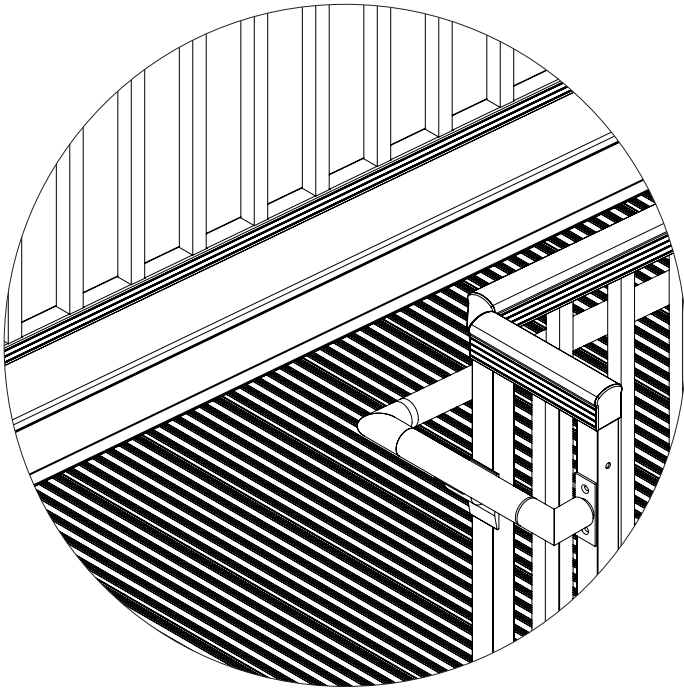


1. To Start a ramp run you will use the Post return bracket that will mount to the vertical post of the guard. Use the lower hole and run the 2" 1/4-20 carriage bolt through and a washer and nut on the other side. The upper hole will be need to be drilled and secured using a 2" carriage bolt with a washer and lock nut. An elbow must then be mounted to the post return bracket using a self-drilling screw.

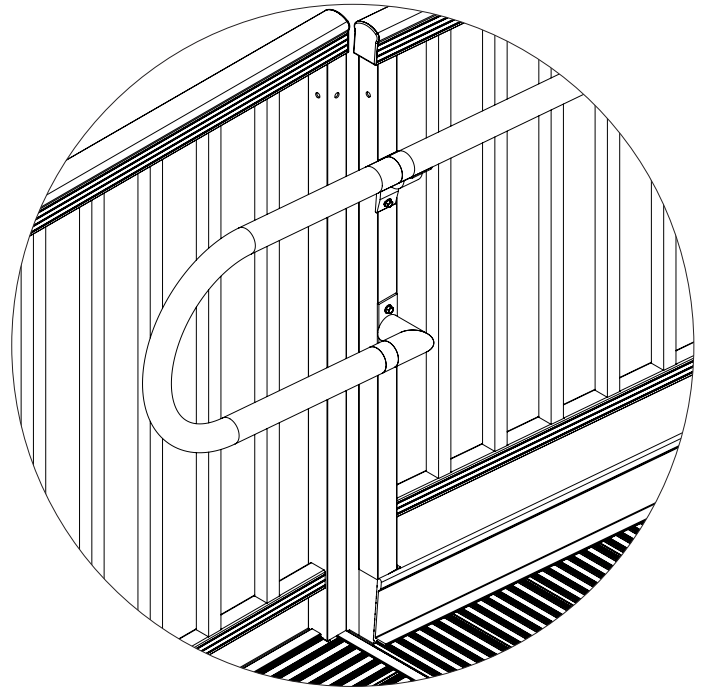


NOTE: The elbow and post return bracket must be pre-drilled.

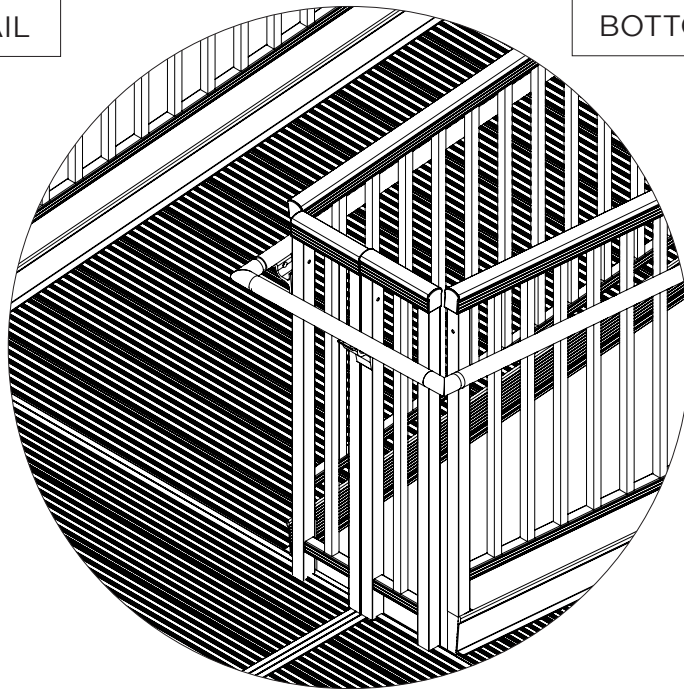
2. Grasping handrails must extend 12" past the end of a run of ramp. In most cases, an end loop will be used to achieve this. At the top of a run of ramp, the grasping handrail must wrap around the corner and terminate into the far post of the filler picket. In a switchback configuration, the grasping handrail must be continuous through the inside of the switchback.



DETAIL



BOTTOM RAMP RUN



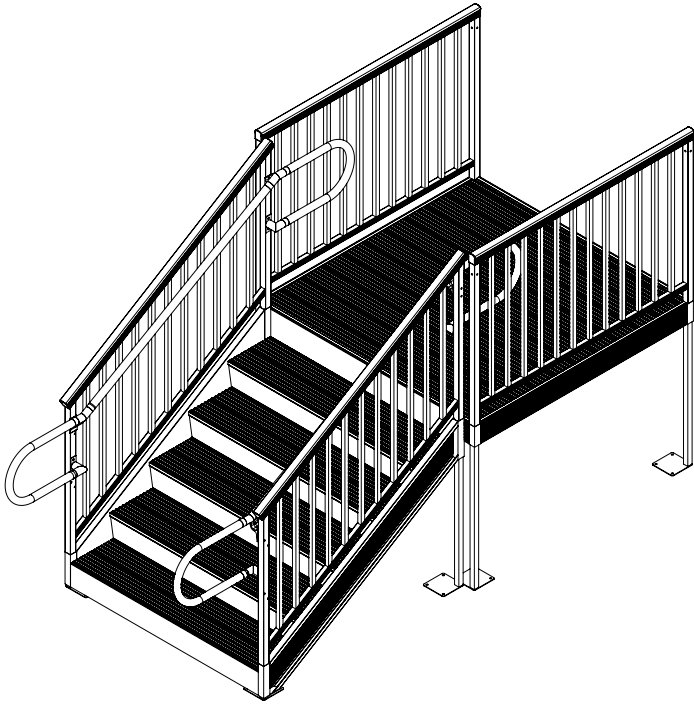
INSIDE CORNER SWITCHBACK

3. Some states require two levels of internal grasping handrails. Make sure to check the requirements in your area. If a second grasping handrail is required, you must drill holes to fasten the grasping handrail brackets at the correct height. The lower grasping handrail will connect to the bottom of the end loop, at the end of the ramp.

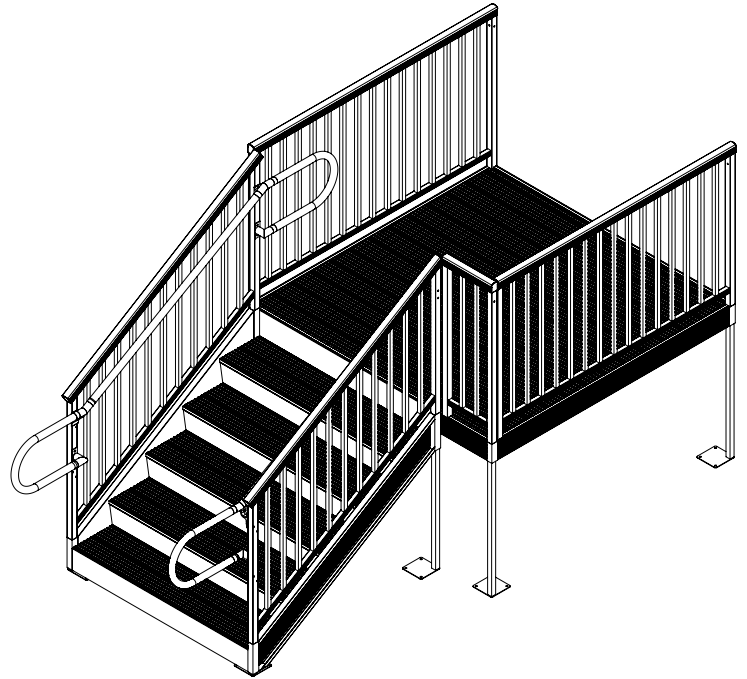
STEPS

Steps can only connect to a platform. They are not standalone and must have the support of the platform. Steps need legs in all the cones to poke through at least 18" to give support to the pickets

1. The top of the steps hooks on to any side of the platform. They will need to be slid off to one side depending on the platform configuration.



5'X5' WITH STEPS

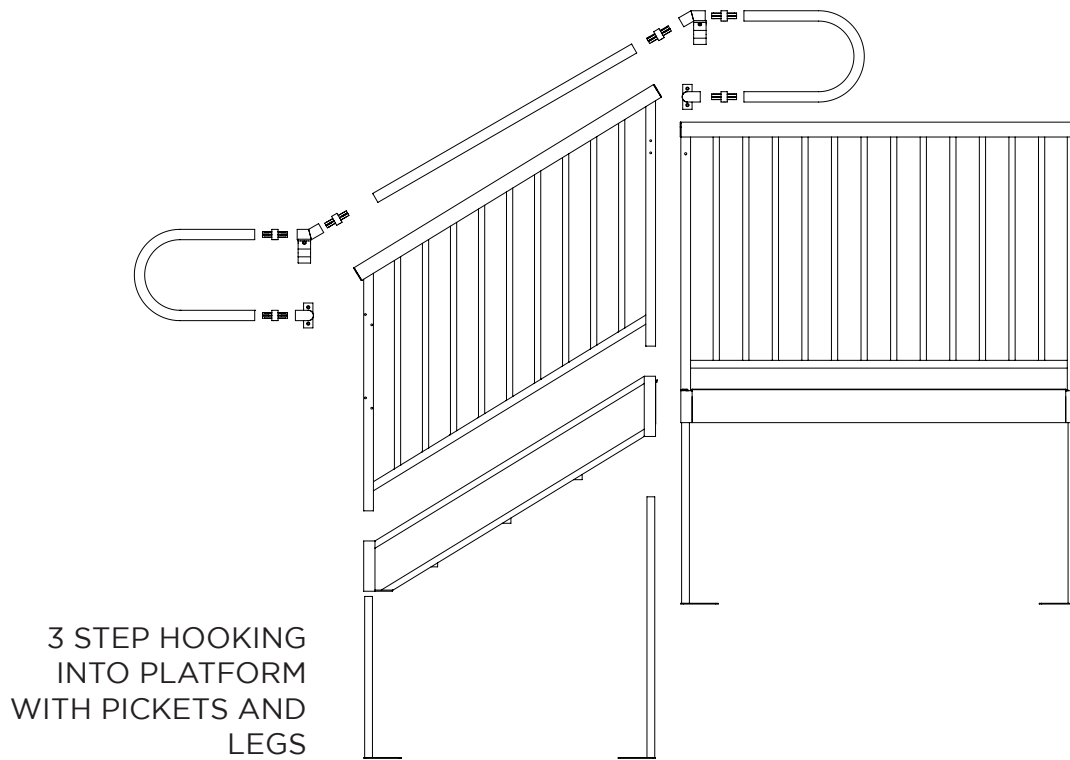


6'X6' WITH STEPS

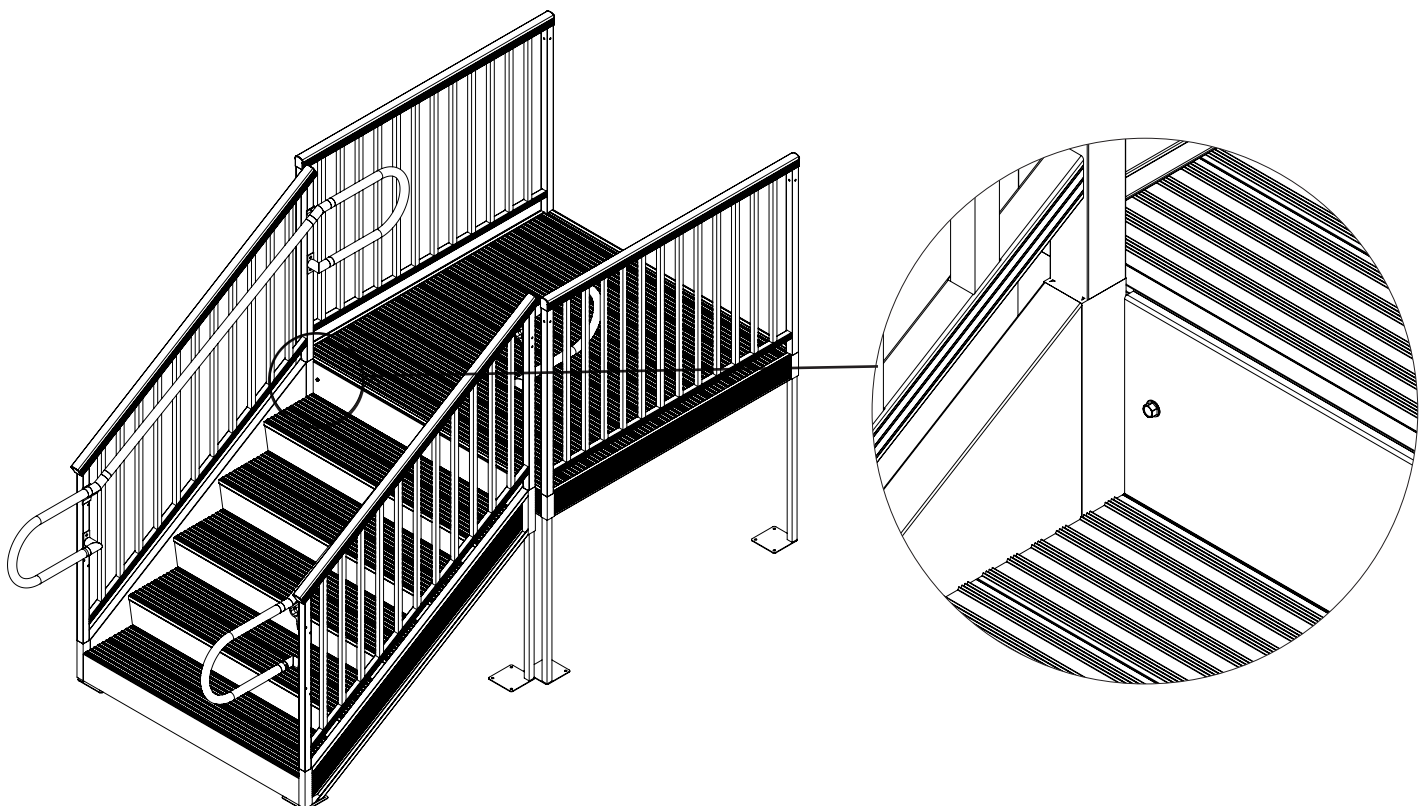
2. Once steps are secured in the bottom feet can be adjusted until the steps are level. The digital level can be used to ensure that the tread surface is not tilting. Each step only has about an inch of adjustment. See below for height adjustments for each size step:

1	STEP	=	13" - 14"
2	STEP	=	19" - 20"
3	STEP	=	27" - 28"
4	STEP	=	34" - 35"
5	STEP	=	41" - 42"
6	STEP	=	48" - 49"
7	STEP	=	55" - 56"
8	STEP	=	62" - 63"

NOTE: The ground can be graded to accommodate for the height of the steps. It is the installer's responsibility to ensure bottom of teps meet the ground.



3. The guard pickets will slide over the legs.
4. The steps must be anchored to the platform at the top. Drill a hole for a self-tapper to go through 1" in on each side through the top kick plate. Use a X hardware to connect.



FINAL CHECKS AND TIGHTENING

Congratulations on installing your Latitude series commercial ramp system. It is very important to check that all hardware is correctly tightened and that all parts are in place.

1. Make sure all legs and guardrails are fastened with zip screws. Make sure all hardware has been tightened with a wrench or impact driver and is firmly in place.
2. Start by walking up and down the ramp and lightly shake the ramp to listen for any nuts or washers that are loose
3. You must then do a visual walk around the ramp to make sure all components are in place, Here is quick checklist of what to look for:
 - A. All grasping handrail brackets are tightened with nuts and washers
 - B. All legs and pickets are secure with the correct self-tapper screws and set bolts are tight
 - C. Walk around the outside of the ramp and make sure all caps and covers are on and nothing sharp protrudes into the walkway
 - D. Double check that all ramps are level and secured and fastened down

MAINTENANCE TIPS

- ⊕ Snow may be cleared from walking surface using a snow shovel or a broom.
- ⊕ Do not use salt or ice melt on the ramp, as this may damage the walking surface. Calcium Chloride salt substitute may be used to remove ice from the ramp, and can be found at most home improvement stores.
- ⊕ Ramp must be checked periodically to ensure that all fasteners are secure, and to ensure that there is no damage to the system.
- ⊕ If the ramp has been damaged, do not walk on it. Call National Ramp, and wait for a certified installer to inspect the ramp and ensure that it is safe.

WARRANTY REGISTRATION

CONGRATULATIONS ON THE PURCHASE OF YOU NEW NATIONAL RAMP!

Welcome to our happy family of National Ramp owners who have found the freedom of their choice. Each of our National “Rampers” is special to us, and we would like you to know that you truly do belong to a family who cares about your needs and your freedom.

In order to register your ramp for warranty, kindly send an email to: warranty@nationalramp.com asking for your warranty link, and have the following information available:

- ⊕ **Date Ramp Was Installed**
- ⊕ **Ramp Purchased By (Name, Last Name)**
- ⊕ **Street Address Where Ramp Is Installed**
- ⊕ **Contact Email Address**
- ⊕ **Contact Phone Number**
- ⊕ **Serial Number Of Ramp**
- ⊕ **High Quality Picture Of Ramp [See Below For Example]**
- ⊕ **Name Of Company Who Installed Your Ramp**
- ⊕ **How Was The Dealer’s Performance**
- ⊕ **Comments And/Or Suggestions**

Again, please send and email to: warranty@nationalramp.com, and fill out this form online.

national[™]
ramp | COMMERCIAL
ACCESS

LATITUDE SERIES™
CODE COMPLIANT ACCESS SYSTEM
ASSEMBLY MANUAL
©All Rights Reserved - 2026



ADA
COMPLIANT

